

MODELS

Universal Models:

Includes standard hardware (hex or Phillips) for attaching screen to mount

SUA745PU Gloss Black

SCREEN ADAPTER

Mounting pattern

Universal Models: 17.7" W x 18.2" H
(450 x 400 mm)

VESA® pattern

Universal Models: 200 x 100, 200 x 200
400 x 200 and 400 x 400 mm

SPECIFICATIONS

Distance from wall

1.1"-23.8" (28-604 mm)

Tilt | Swivel | Roll

+15/-5° | ±90° | ±5°

Max load

60 lb (27 kg)

Product Dimensions (W x H x D)

20.15" x 16.06" x 1.1"-23.86"
(511 x 408 x 24-606 mm)

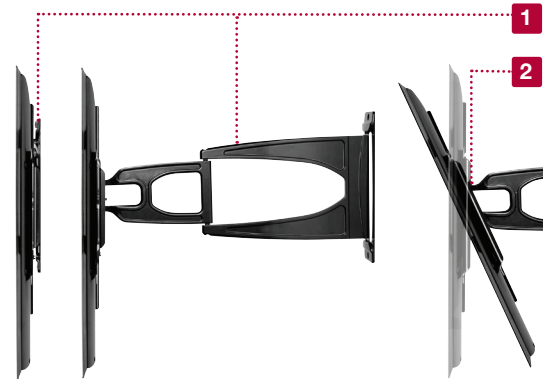
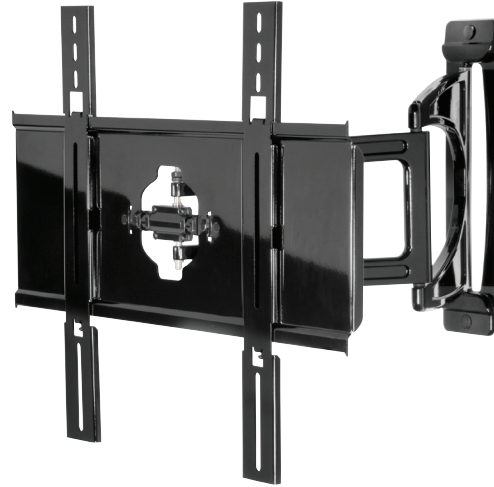
Mounting Surfaces

Wood stud, concrete and cinder block

Ship Weight

19.2 lb (8.7 kg)

1. Arm retracts to 1" (25 mm) and extends up to 23.8" (604 mm) from wall
2. One-touch tilt allows adjustment of +15/-5° without the use of tools
3. Up to ±90° of side-to-side swivel
4. ±5° of roll to level screen horizontally



CERTIFICATIONS



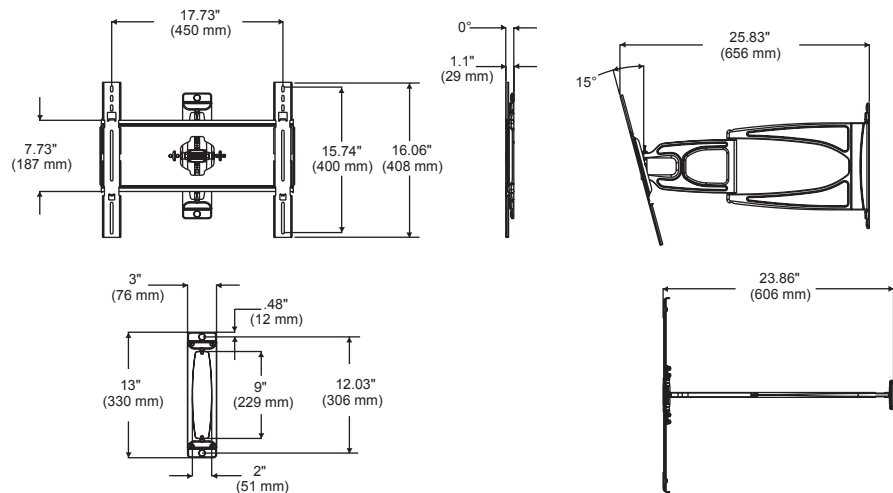
ACCESSORIES



ACC919: Security Fasteners pg# 128

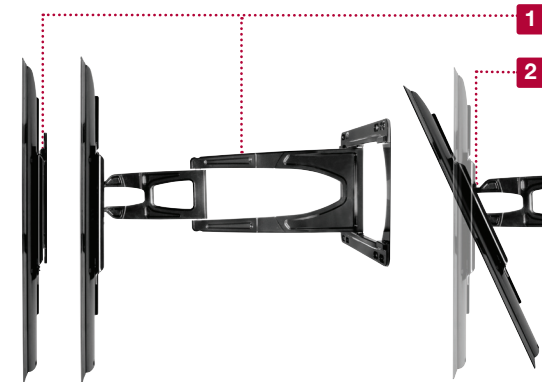
TECHNICAL DRAWINGS

For expanded product information and technical data visit www.peerlessmounts.com



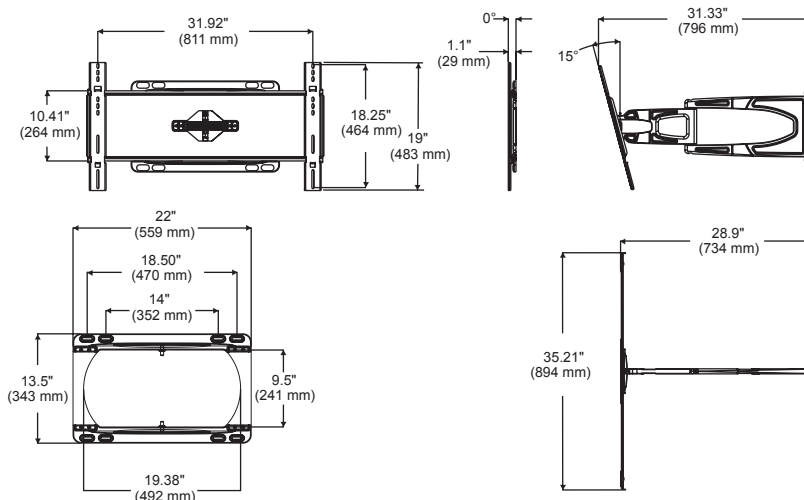


1. Arm retracts to 1" (28 mm) and extends up to 28.9" (734 mm) from wall
2. One-touch tilt allows adjustment of +15/-5° without the use of tools
3. Up to ±90° of side-to-side swivel
4. ±5° of roll to level screen horizontally



For expanded product information and technical data visit www.peerlessmounts.com

TECHNICAL DRAWINGS



MODELS

Universal Models:

Includes standard hardware (hex or Phillips) for attaching screen to mount

SUA750PU Gloss Black

SCREEN ADAPTER



Mounting pattern

Universal Models: 31.9" W x 18.25" H
(810 x 463 mm)



VESA® pattern

Universal Models: 200 x 100, 200 x 200, 400 x 200 and 400 x 400 mm

SPECIFICATIONS



Distance from wall

1.1"–28.9" (29-734 mm)



Tilt | Swivel | Roll

+15/-5° | ±90° | ±5°



Max load

100 lb (45 kg)

Product Dimensions

(W x H x D)

35.21" x 19" x 1.1"–28.9"
(894 x 483 x 29-734 mm)

Mounting Surfaces

Wood stud, concrete and cinder block

Ship Weight

26.5 lb (11.7 kg)

CERTIFICATIONS



RoHS
compliant

ACCESSORIES



ACC925:

Security Fasteners pg# 128



SUT645P

SlimLine®

Universal Ultra-thin Tilt Wall Mount For 32" to 46" Ultra-thin Flat Panel TVs*

The SUT645P Slimline® Universal Ultra-thin Tilt Wall Mount is the industry's thinnest tilt wall mount that delivers an aesthetically-pleasing mounting solution with no sacrifice to functionality. Its innovative design and use of new technologies merge style with state-of-the-art continuous tilt technology, horizontal adjustment, and installer-friendly features. Complementing its versatility and functionality is a sleek, ultra-low profile design with a high gloss black finish that harmonizes the TV with the mount. The SUT645P provides the ultimate combination of looks and functionality in an ultra-thin package for the perfect, close-to-the-wall TV installation.



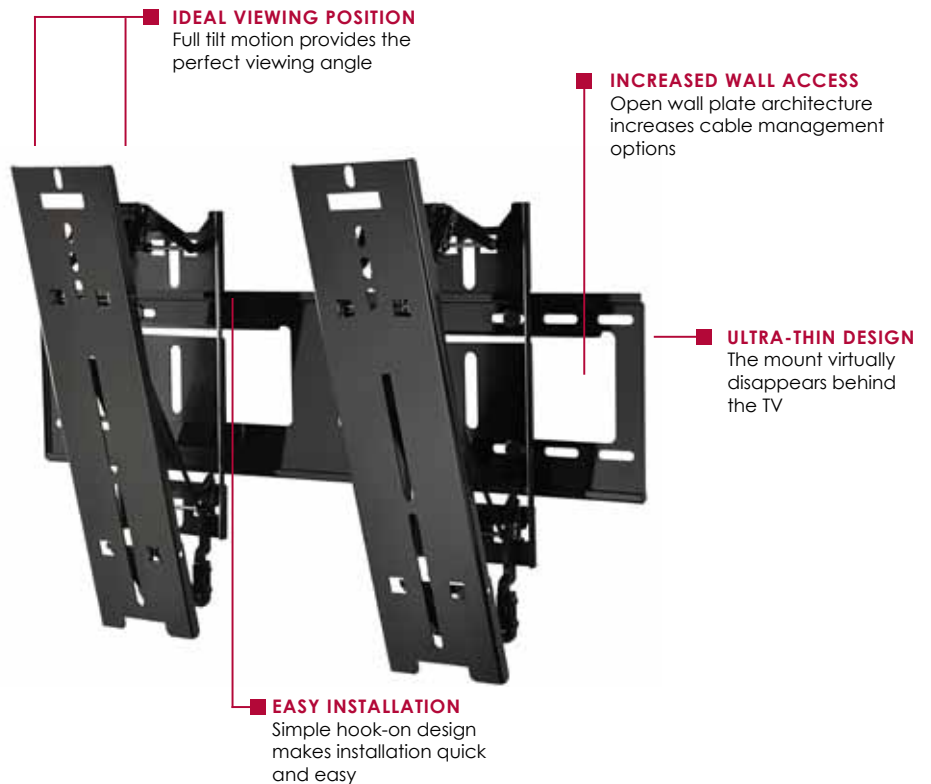
Screen size: 32"-46"



Max load: 100 lb (45 Kg)

FEATURES

- Holds screen 0.68" (17 mm) from the wall in the closed position
- Compatible with ultra-thin screens with up to VESA® 600 x 400 mm mounting hole pattern
- Innovative tilt mechanism allows for easy setting of the tilt angle in just one motion
- Tilt range of +17.5°/-5° to position the screen at the ideal viewing angle
- Screen can be held off the wall more than 5.5" (140 mm) allowing for hands-free full access to the back of the screen
- Horizontal adjustment up to 6" (152 mm) for perfect screen placement
- Screen adapter simply hooks onto wall plate for quick and easy installation
- Lockdown tab prevents screen from unwanted bump-off or horizontal shifting



Holds screen 0.68" (17 mm) from the wall



Full motion tilt allows for +17.5°/-5°



Screen extended up to 5.88" (149 mm) from the wall allowing for hands-free installation access to the back of the screen

*Designed exclusively for use with only ultra thin TVs 2" (51 mm) deep or less



SUT645P: Ultra-thin Wall Mount for 32" to 46" Ultra-thin flat panel TVs

Product Specifications

	DIMENSIONS (W x H x D)	PRODUCT WEIGHT	LOAD CAPACITY	FINISH	AVAILABLE COLORS
SUT645P	29" x 17.25" x 0.68" (736 x 438 x 17 mm)	11 lb (5 Kg)	100 lb (45 Kg)	Scratch resistant fused epoxy	Gloss black

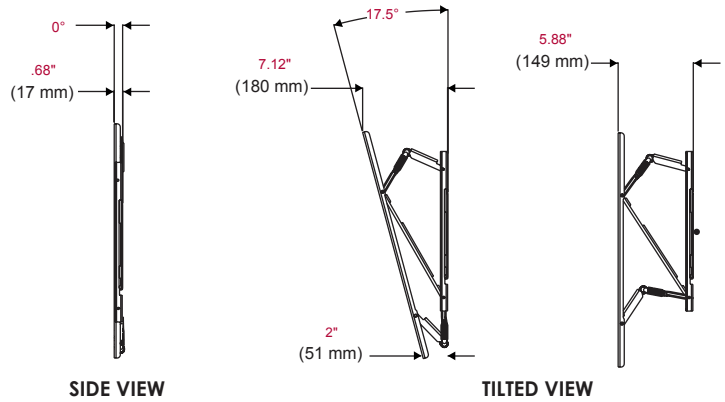
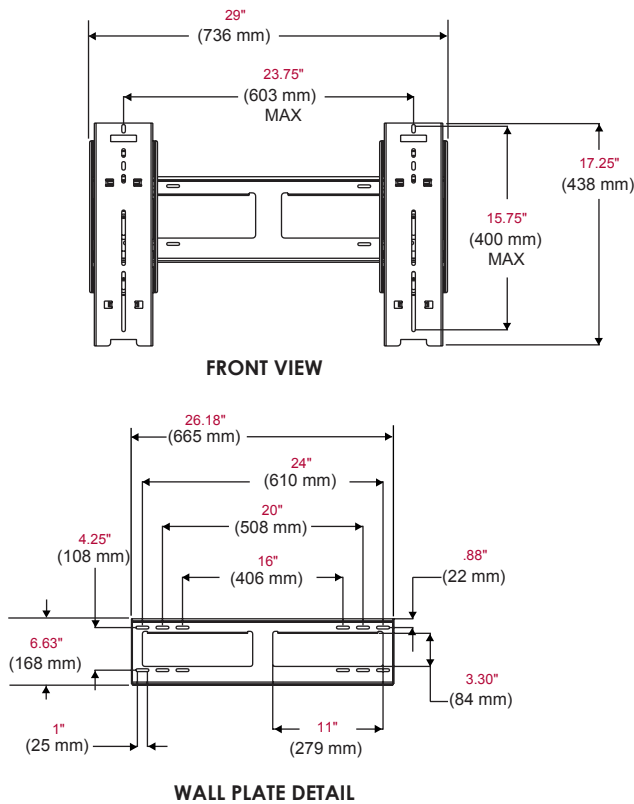
Package Specifications

	PACKAGE SIZE (W x H x D)	PACKAGE SHIP WEIGHT	PACKAGE UPC CODE	PACKAGE CONTENTS	UNITS IN PACKAGE
SUT645P	30.25" x 2.5" x 8.3" (768 x 64 x 211 mm)	12 lb (5.5 Kg)	735029264972	Mount and attachment hardware for TV and wall	1

Accessories

IBA1: In-wall accessory box

All dimensions = inch (mm)



NOTE: Screen Compatibility Requirements
 Designed exclusively for use with only ultra-thin TVs 2" (51 mm) deep or less

- The screen does not require any additional heat ventilation room than 0.68" (17 mm). Please refer to the manufacturer's requirements for mounting your screen on the wall.
- The screen must have a flat mounting surface, or the mounting holes need to be on the furthest back surface of the screen.
- Input/Output connection must be properly orientated to accommodate mounting 0.68" (17 mm) from the wall.

ARCHITECTS SPECIFICATIONS

The Ultra-Thin Universal Tilt Wall Mount shall be a Peerless model **SUT645P** and shall be located where indicated on the plans. It shall be constructed of cold rolled steel and feature scratch resistant gloss black fused epoxy finish. Assembly and installation shall be done according to instructions provided by the manufacturer.

SUF660P

SlimLine®

Universal Ultra-thin Flat Wall Mount For 37" to 65" (94-165 cm) Ultra-thin Flat Panel TVs

The world's thinnest mount, at only 0.33" (8 mm) inches thin, brings the screen closer to the wall than any other product in the industry. This near-invisible mount is the beauty that supports the modern style of the latest ultra-thin flat panel TVs. Its all-steel, clean-line, high-gloss modeling features universal compatibility with virtually any ultra-thin flat panel TV innovation. This unmatched solution delivers space-saving, ultra-sleek looks and brings the screen closer to the wall than any other mount in the world.



Screen size: 37"-65" (94-165 cm)



Max load: 150 lb (68 Kg)

FEATURES

- Ultra-thin design holds screen only 0.33" (8 mm) from the wall for a near-invisible application
- Universal mount compatible with ultra-thin LCD screens with mounting patterns up to 32.48" W x 17.67" H (825 x 449 mm)
- Universal brackets easily hook onto wall plate for an easy installation
- Industrial-strength Velcro® latching system secures screen adapters to wall plate in a single step, making installation fast and secure
- Horizontal screen adjustment of up to 8" (203 mm) (depending on screen model) for perfect screen placement
- Mounts to wood studs, concrete, cinder block or metal studs (metal stud accessory required)
- Comes with Peerless' Sorted-for-You™ fastener pack with all necessary screen attachment hardware



Easy hook-on design



Specially designed safety tabs for secure support



RoHS
2002/95/EC

CLICK: www.peerlessmounts.com

CALL: 800.865.2112

FAX: 708.865.2941

peerless®

Model Numbers

WARRANTY: Limited 5-year

SUF660P: Universal Ultra-thin Flat Wall Mount for 37" to 65" (94-165 cm) Ultra-thin Flat Panel TVs

Product Specifications

	DIMENSIONS (W x H x D)	PRODUCT WEIGHT	LOAD CAPACITY	FINISH	AVAILABLE COLORS
SUF660P	35.44" x 21.8" x .33" (900 x 554 x 8 mm)	7.1lb (3.2 Kg)	150 lb (68 Kg)	Scratch resistant fused epoxy	Gloss Black

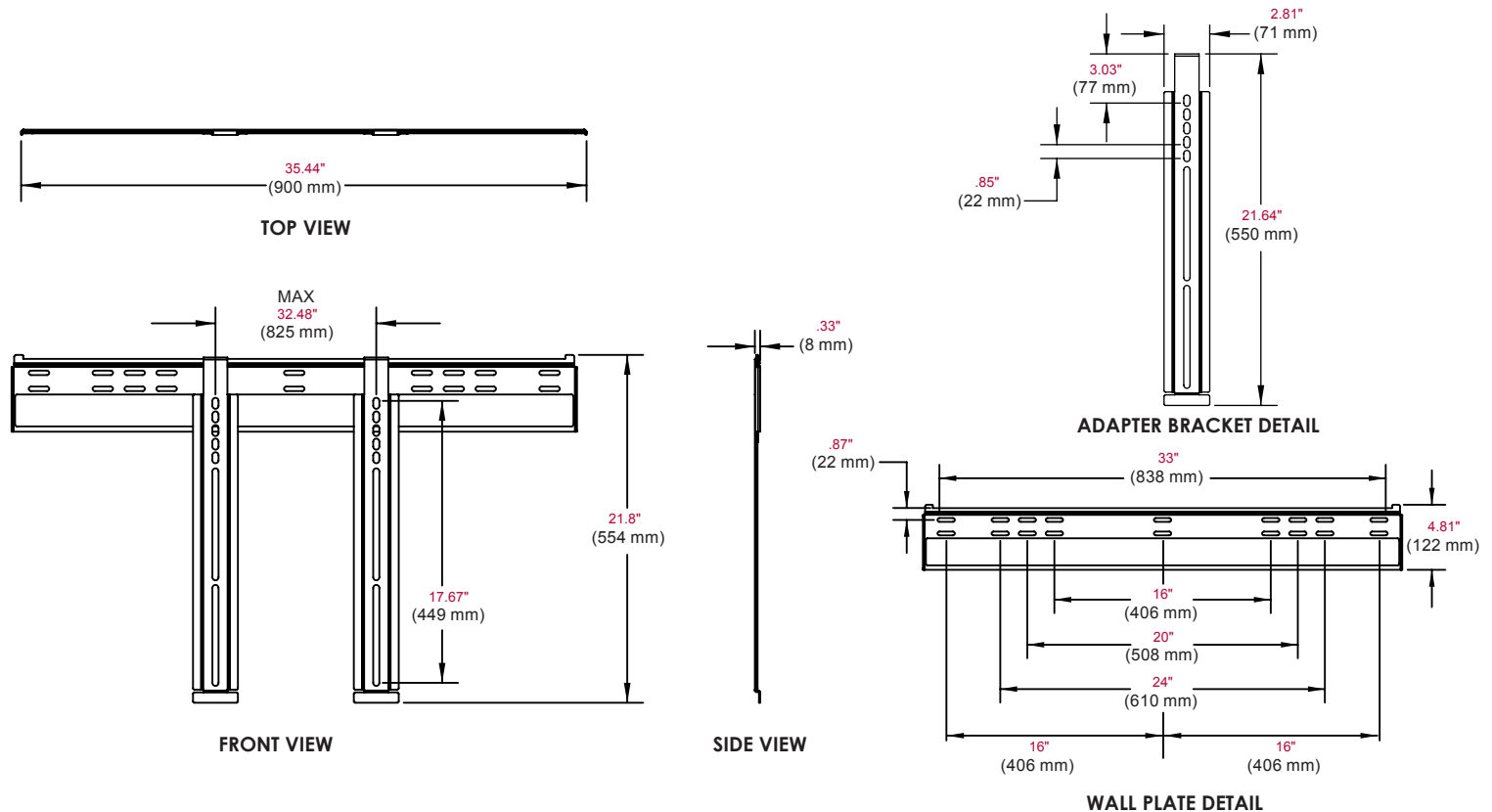
Package Specifications

	PACKAGE SIZE (W x H x D)	PACKAGE SHIP WEIGHT	PACKAGE UPC CODE	PACKAGE CONTENTS	UNITS IN PACKAGE
SUF660P	37.06" x 2.375" x 6.313" (941 x 60 x 160 mm)	7.8 lb (3.6 Kg)	735029258377	Wall plate, universal screen adapters, mounting and screen attachment hardware	1

Accessories

ACC615: Metal Stud Accessory Pack

All dimensions = inch (mm)



ARCHITECTS SPECIFICATIONS

The Ultra-Thin Universal Flat Wall Mount shall be a Peerless model _____ and shall be located where indicated on the plans. It shall be constructed of cold rolled steel and feature scratch resistant gloss black fused epoxy finish. Assembly and installation shall be done according to instructions provided

SUT660P

SlimLine®

Universal Ultra-thin Tilt Wall Mount For 37" to 60" Ultra-thin Flat Panel TVs*

The SUT660P Slimline® Universal Ultra-thin Tilt Wall Mount is the industry's thinnest tilt wall mount that delivers an aesthetically-pleasing mounting solution with no sacrifice to functionality. Its innovative design and use of new technologies merge style with state-of-the-art continuous tilt technology, horizontal adjustment, and installer-friendly features. Complementing its versatility and functionality is a sleek, ultra-low profile design with a high gloss black finish that harmonizes the TV with the mount. The SUT660P provides the ultimate combination of looks and functionality in an ultra-thin package for the perfect, close-to-the-wall TV installation.



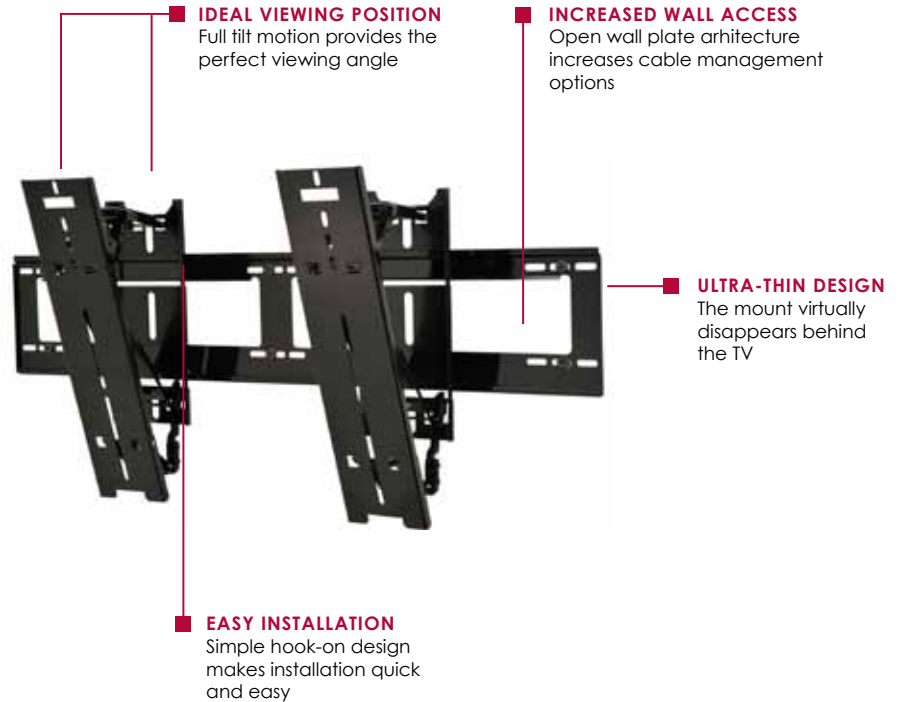
Screen size: 37"-60"



Max load: 100 lb (45 Kg)

FEATURES

- Holds screen 0.68" (17 mm) from the wall in the closed position
- Compatible with ultra-thin screens with up to a VESA® 800 x 400 mm mounting hole pattern
- Innovative tilt mechanism allows for easy setting of the tilt angle in just one motion
- Tilt range of +17.5°/-5° to position the screen at the ideal viewing angle
- Screen can be held off the wall more than 5.5" (140 mm) allowing for hands-free full access to the back of the screen
- Lockdown tab prevents screen from unwanted bump-off or horizontal shifting
- Screen adapters simply hook onto wall plate for quick and easy installation
- Horizontal adjustment up to 8" (203 mm) for perfect screen placement



Holds screen .68" (17 mm) from the wall



Full motion tilt allows for +17.5°/-5°



Screen extended up to 5.88" (149 mm) from the wall allowing for hands-free installation access to the back of the screen

*Designed exclusively for use with only ultra thin TVs 2" (51 mm) deep or less



SUT660P: Ultra-thin Wall Mount for 37" to 60" Ultra-thin flat panel TVs

Product Specifications

	DIMENSIONS (W x H x D)	PRODUCT WEIGHT	LOAD CAPACITY	FINISH	AVAILABLE COLORS
SUT660P	36.77" x 17.25" x 0.68" (933 x 438 x 17 mm)	11.5 lb (5.2 Kg)	100 lb (45 Kg)	Scratch resistant fused epoxy	Gloss black

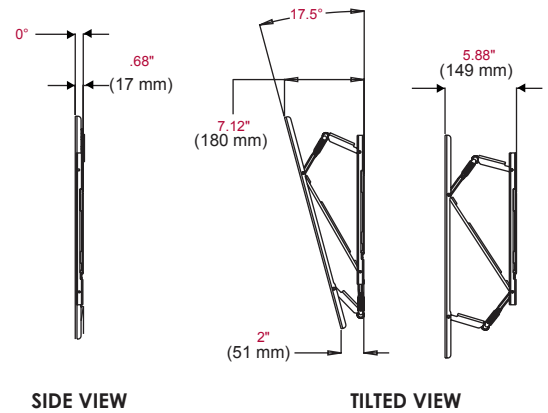
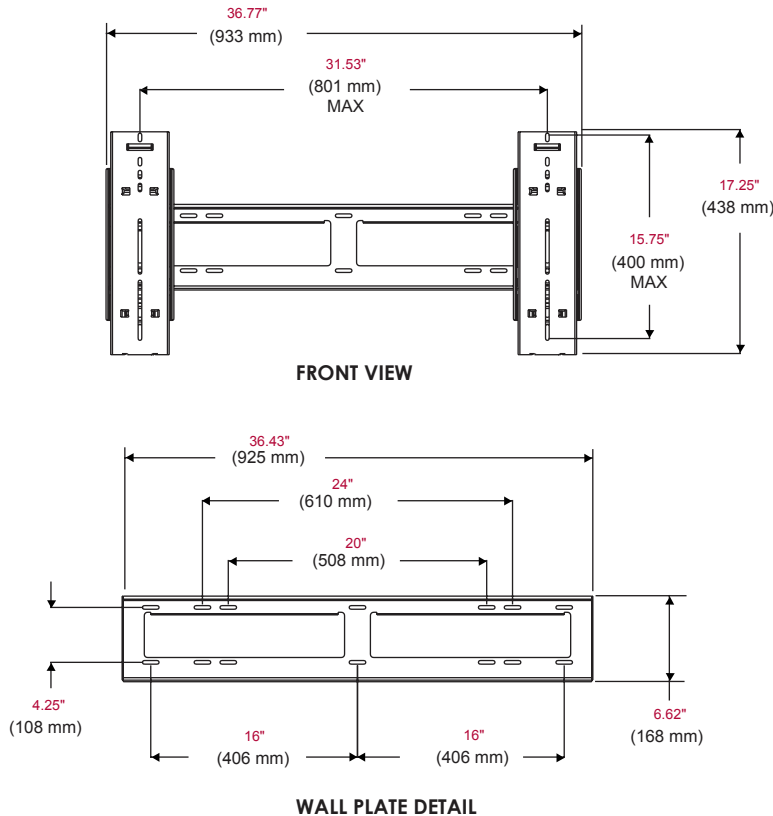
Package Specifications

	PACKAGE SIZE (W x H x D)	PACKAGE SHIP WEIGHT	PACKAGE UPC CODE	PACKAGE CONTENTS	UNITS IN PACKAGE
SUT660P	37.75" x 2.5" x 8.38" (959 x 64 x 213 mm)	12.5 lb (5.7 Kg)	735029264989	Mount and attachment hardware for TV and wall	1

Accessories

IBA1: In-wall accessory box

All dimensions = inch (mm)



- NOTE: Screen Compatibility Requirements**
 Designed exclusively for use with only ultra-thin TVs 2" (51 mm) deep or less
- The screen does not require any additional heat ventilation room than 0.68" (17 mm). Please refer to the manufacturer's requirements for mounting your screen on the wall.
 - The screen must have a flat mounting surface, or the mounting holes need to be on the furthest back surface of the screen.
 - Input/Output connection must be properly orientated to accommodate mounting 0.68" (17 mm) from the wall.

ARCHITECTS SPECIFICATIONS

The Ultra-Thin Universal Tilt Wall Mount shall be a Peerless model **SUT660P** and shall be located where indicated on the plans. It shall be constructed of cold rolled steel and feature scratch resistant gloss black fused epoxy finish. Assembly and installation shall be done according to instructions provided by the manufacturer.