

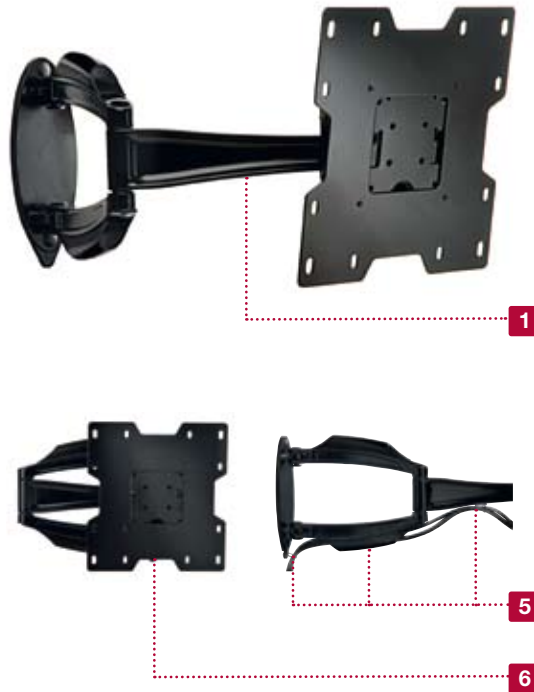
SmartMount® Articulating Wall Arm

For 22" to 40" (55-101 cm) LCD Screens



FLAT PANEL MOUNTS

1. Arm extends up to 20.1" (513 mm) from wall
2. One-touch tilt allows adjustment of +15/-5° without the use of tools
3. Up to ±90° of side-to-side swivel
4. ±5° of roll to level screen horizontally
5. Built-in cable management keeps cables and cords out of the way
6. Screen is centered on wall plate
7. VESA® 75, 100, 200 x 100 and 200 x 200 mm compliant
8. Non-VESA® adapter plates also available



MODELS

Universal Models:

Includes standard hardware (hex or Phillips) for attaching screen to mount

SA740P	High gloss black
SA740P-S	High gloss silver

SCREEN ADAPTER



VESA® pattern

Universal Models:	75, 100, 200 x 100 and 200 x 200 mm
-------------------	-------------------------------------

SPECIFICATIONS



Distance from wall

3.3"-20.18" (83-513 mm)



Tilt | Swivel | Roll

+15/-5° | ±90° | ±5°



Max load

80 lb (36 kg)

Product Dimensions (W x H x D)

8.75"-12.75" x 8.75" x 3.3"-20.1" (222-324 x 222 x 83-513 mm)

Mounting Surfaces

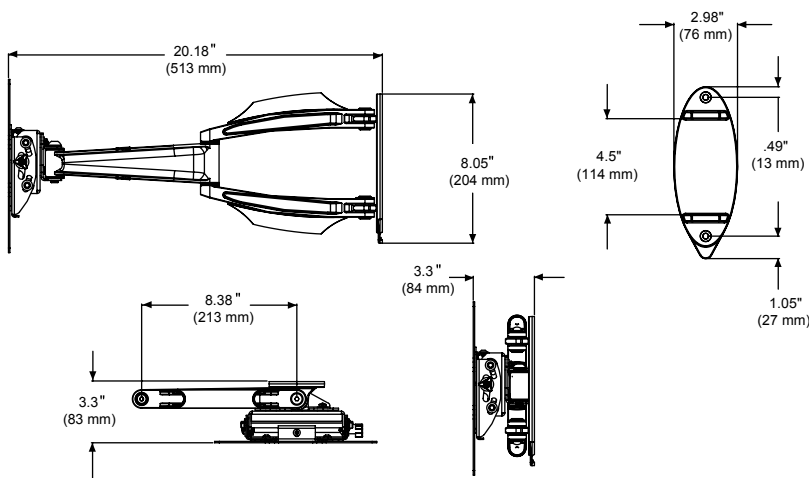
Wood stud, concrete, cinder block and metal stud (Metal stud accessory required)

Ship Weight

8.45 lb (3.8 kg)

For expanded product information and technical data visit www.peerlessmounts.com

TECHNICAL DRAWINGS



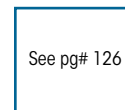
CERTIFICATIONS



ACCESSORIES



ACC919: Security Fasteners pg# 128



WSP700: Metal Stud Wall Plate pg# 126

To verify mount compatibility with any LCD, plasma or projector model use MountFinder™ at www.peerlessmounts.com

CLICK: www.peerlessmounts.com

CALL: 800.865.2112

FAX: 708.865.2941



SmartMount® Pivot Wall Mount

For 22" to 40" (55-102 cm) LCD Screens

MODELS

Universal Models:

Includes standard hardware (hex or Phillips) for attaching screen to mount

SP740P High gloss black
SP740P-S High gloss silver

SCREEN ADAPTER



VESA® pattern

Universal Models: 75, 100, 200 x 100 and 200 x 200 mm

SPECIFICATIONS



Distance from wall

2.99"-11.8" (75-300 mm)



Tilt | Swivel | Roll

+15/-5° | ±90° | ±5°



Max load

80 lb (36 kg)

Product Dimensions

(W x H x D)
8.75"-13.75" x 8.75" x 2.9"-11.8"
(222-349 x 222 x 75-300 mm)

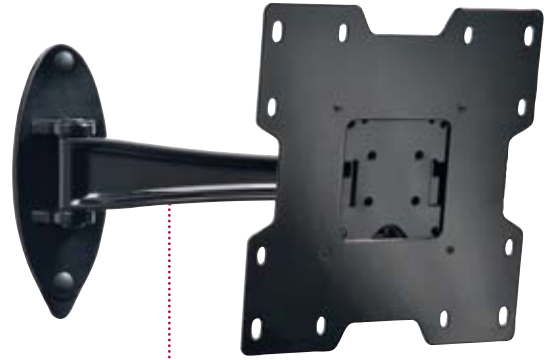
Mounting Surfaces

Wood stud, concrete, cinder block and metal stud
(Metal stud accessory required)

Ship Weight

6.7 lb (3 kg)

1. Arm extends up to 11.8" (300 mm) from wall (plus thickness of screen adapter)
2. One-touch tilt allows adjustment of +15/-5° without the use of tools
3. Up to ±90° of side-to-side swivel
4. ±5° of roll to level screen horizontally
5. Integrated cable management keeps cables and cords out of the way
6. VESA® 75, 100, 200 x 100 and 200 x 200 mm compliant
7. Non-VESA® adapter plates also available



1



5

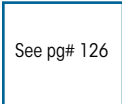
CERTIFICATIONS



ACCESSORIES



ACC919:
Security Fasteners pg# 128

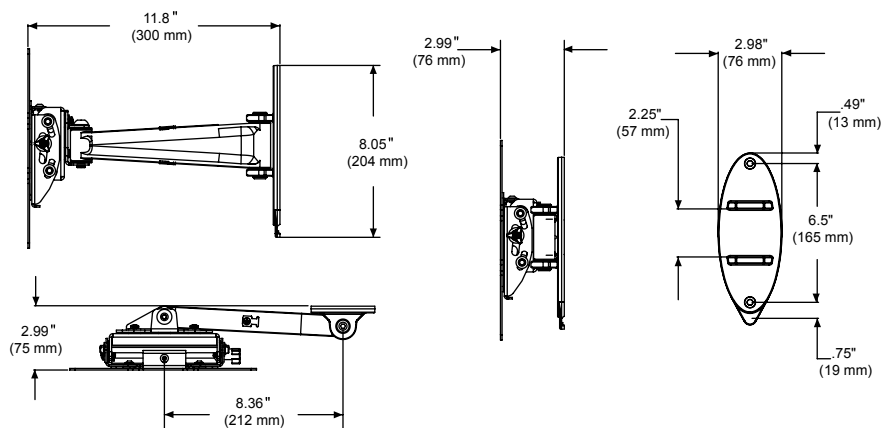


See pg# 126

WSP700:
Metal Stud Wall Plate pg# 126

TECHNICAL DRAWINGS

For expanded product information and technical data visit www.peerlessmounts.com



To verify mount compatibility with any LCD, plasma or projector model use MountFinder™ at www.peerlessmounts.com



CLICK: www.peerlessmounts.com



CALL: 800.865.2112



FAX: 708.865.2941

SA752PU

SmartMount® Articulating Wall Arm For 32" to 52" Flat Panel Screens

From any angle, this wall arm mount reflects remarkable form and function. Extending the flat panel screen up to 27.43" (697mm) from the wall and allowing for a full 180° of side-to-side motion for perfect view positioning of screens up to 52". Fine-tuning of the installation is simple with its side-to-side screen leveling and 1" (25mm) of vertical adjustment features that help achieve perfection. This articulating arm also provides screen centering on the wall plate and integrates a desirable cable management system, centering the flat panel on the wall when retracted and organizing and protecting the cables. Designed and built in the USA, this mount maintains the same brilliant look as the entire SmartMount® 700 Series line of Articulating and Pivot Wall Arm Mounts.



FEATURES

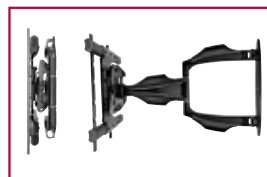
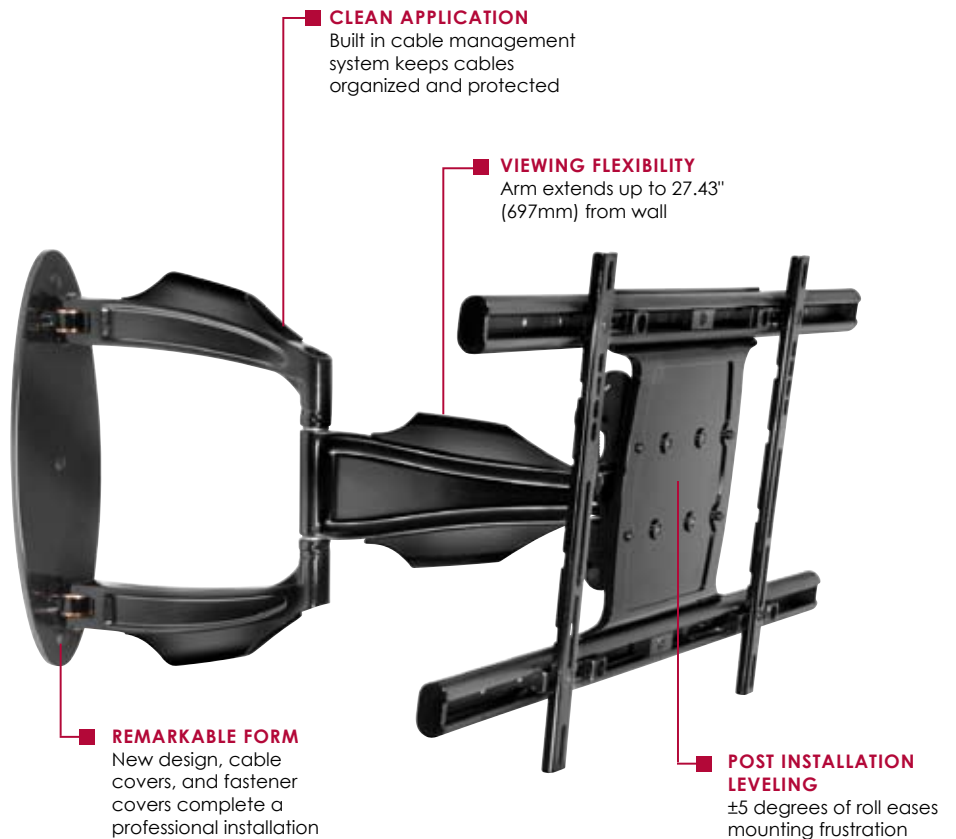
- Universal design provides compatibility for 32" to 52" (81-132cm) flat panel screens with mounting patterns up to 27" x 17.29" (686 x 439mm)
- Screen can be held as close to the wall as 4.43" (113mm) or be extended as far as 27.43" (697mm)
- Integrated cable management contains, protects and conceals cables for a clean clutter-free look
- One-touch tilt allows for +15°/-5° without the use of tools for easy viewing angle adjustment
- Multi-link construction allows for a full 180° range of motion
- Screen can be swiveled a full 90°
- ±5° of roll allows for post installation leveling
- Screen can be rotated from portrait to landscape without removing the screen for easy orientation changes
- 1" (25mm) vertical adjustment for screen position fine tuning



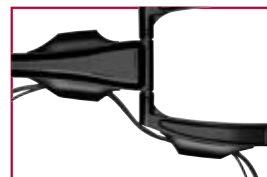
Screen size: 32"-52" (81-132cm)



Max load: 90lb (41kg)



Arm retracts to just 4.43" (113mm) and extends up to 27.43" (697mm) from wall



1" (25mm) clearance per channel for clean and simple cable management



1" (25mm) of vertical adjustment for post-installation fine tuning



RoHS

MADE IN USA

Model Numbers

WARRANTY: Limited 5-year

SA752PU Articulating Wall Arm for 32" to 52" (81-132cm) Flat Panel Screens

Product Specifications

	DIMENSIONS (W x H x D)	PRODUCT WEIGHT	LOAD CAPACITY	FINISH	AVAILABLE COLORS
SA752PU	28.68" x 18" x 4.43"-27.43" (728 x 457 x 113-697mm)	33lb (15kg)	90lb (41kg)	Scratch resistant fused epoxy	SA752PU: Gloss Black

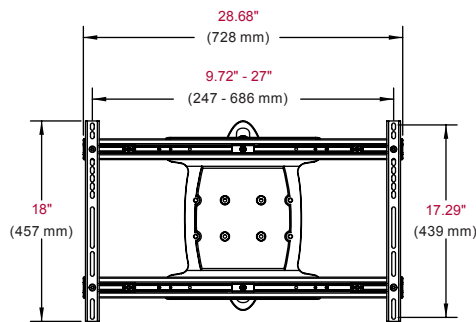
Package Specifications

	PACKAGE SIZE (W x H x D)	PACKAGE SHIP WEIGHT	PACKAGE UPC CODE	PACKAGE CONTENTS	UNITS IN PACKAGE
SA752PU	35.75" x 21.25" x 5.625" (908 x 540 x 143mm)	38lb (17.3kg)	SA752PU: 735029266563	Mount, wall and screenattachment hardware, installation instructions	1

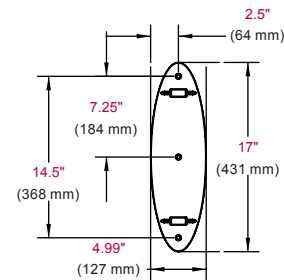
Accessories

ACC925: Security Fastener Pack

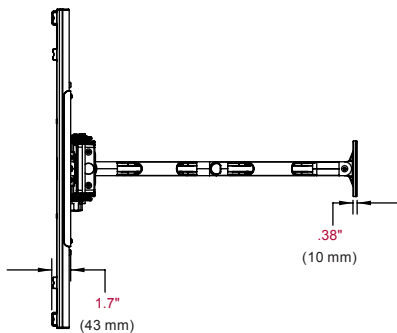
All dimensions = inch (mm)



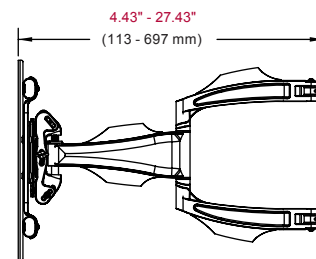
FRONT VIEW



WALL PLATE DETAIL



TOP VIEW



SIDE VIEW

ARCHITECTS SPECIFICATIONS

The SmartMount Articulating Wall Mount shall be a Peerless model SA752PU and shall be located where indicated on the plans. It shall feature scratch resistant black or silver fused epoxy finish. Assembly and installation shall be done according to instructions provided by the manufacturer.