

DST942-6



Display size
37"-42"



Max load
480lb (218kg)
80lb (36kg per display)

Multi-Display Ceiling Mount with Six Telescoping Arms

FOR 37" TO 42" DISPLAYS

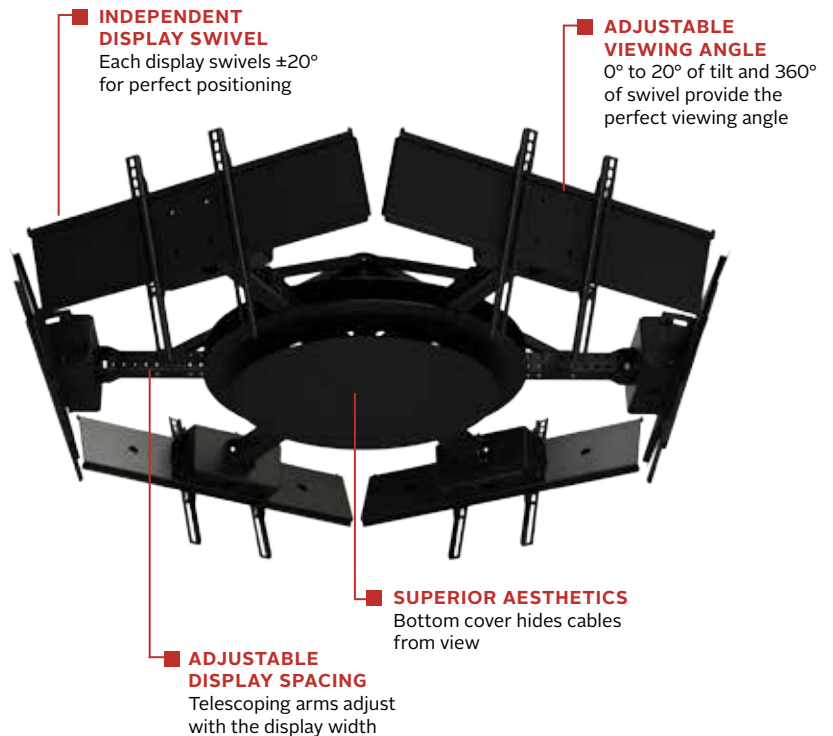
The DST942-6 Multi-Display Ceiling Mount includes telescoping arms that hold six displays evenly spaced in a circular configuration, helping you create the ideal multi-display ceiling mounted solution. Each arm's adjustable depth allows the installer to set the spacing between each display to meet your application's needs. With 360° of swivel, and 0° to 20° of tilt, this mount creates the perfect viewing angle for any application. The mount has been designed with superior aesthetics in mind and provides a bottom cover, resulting in sleek and clutter-free cable management throughout the entire solution.

DST942-6's telescoping arms offer spacing flexibility, so you can find the perfect placement for your display.



Additional Features

- ✓ Universal mount fits displays with mounting patterns up to 730 x 405mm (28.75"W x 15.95"H)
- ✓ 0° to 20° of tilt and 360° of swivel at time of installation
- ✓ Arms telescope to allow for the desired display spacing
- ✓ Bottom cover provides aesthetically pleasing cable management
- ✓ Tri and Quad options also available



DST942-6 Multi-Display Ceiling Mount with Six Telescoping Arms for 37"-42" Displays

Product Specifications

	DIMENSIONS (W x H x D)	PRODUCT WEIGHT	LOAD CAPACITY	FINISH	AVAILABLE COLORS
DST942-6	56.40" x 21.80" x 56.40" (1433 x 554 x 1433mm)	186lb (84.5kg)	480lb (218kg) 80lb (36kg) per display	Matte/Flat	Black

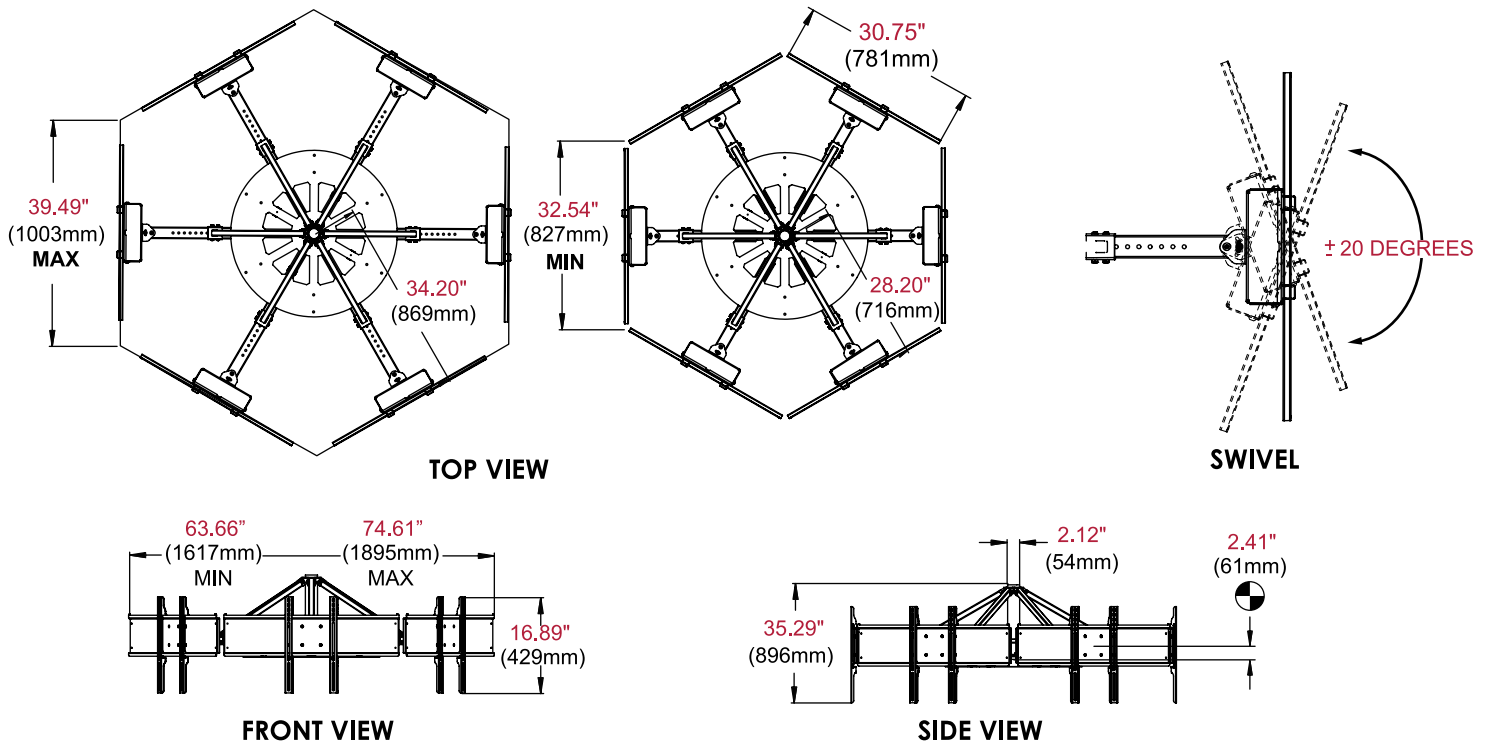
Package Specifications

	PACKAGE SIZE (W x H x D)	PACKAGE SHIP WEIGHT	PACKAGE UPC CODE	PACKAGE CONTENTS	UNITS IN PACKAGE
DST942-6	52.00" x 32.00" x 12.00" (1321 x 813 x 305mm)	215lb (97.7kg)	735029302926	Mounting hub, telescoping arms, universal adaptor plate and mounting hardware	1

Accessories

ADD Models: Ceiling Extensions
DCS, DCT Models: Ceiling Plates

All dimensions = inch (mm)



Architect Specifications

The Multi-Display Ceiling Mount with Six Telescoping Arms shall be a Peerless-AV model DST942-6 and shall be located where indicated on the plans. Assembly and installation shall be done according to instructions provided by the manufacturer.

Visit peerless-av.com to see the complete line of AV solutions from Peerless-AV, including outdoor displays, wireless, kiosks, digital audio, display mounts, projector mounts, carts/stands, and a full assortment of accessories.

Peerless-AV
 2300 White Oak Circle
 Aurora, IL 60502 USA
(800) 865-2112
(630) 375-5100
Fax: (800) 359-6500

Peerless-AV Europe
 Unit 3 Watford Interchange
 Colonial Way, Watford
 Herts, WD24 4WP
 United Kingdom
+44 (0) 1923 200100
Fax: +44 (0) 1923 200101

Peerless-AV de México
 Ave de las Industrias 413
 Parque Industrial Escobedo
 Escobedo, N.L.,
 Mexico 66050
+52 (81) 8384-8300
Fax: +52 (81) 8384-8360



DST975-4



Display size
37"-75"



Max load
500lb (227kg)
125lb (57kg per display)

Multi-Display Ceiling Mount with Four Telescoping Arms

FOR 37" TO 75" DISPLAYS

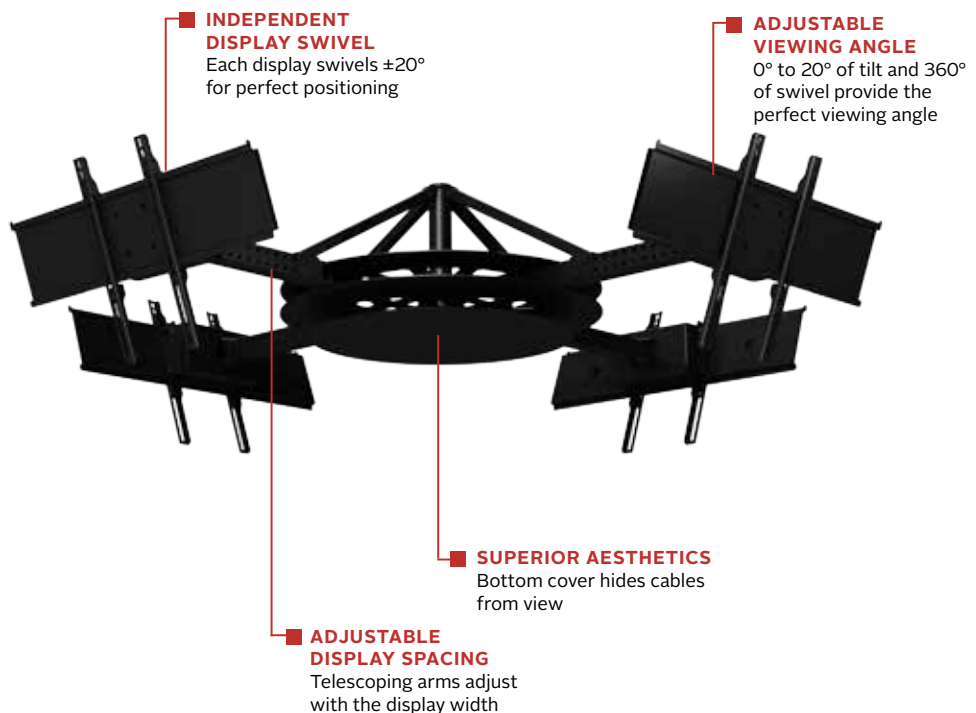
The DST975-4 Multi-Display Ceiling Mount includes telescoping arms that hold four displays evenly spaced in a square or rectangular configuration, helping you create the ideal multi-display ceiling mounted solution. Each arm's adjustable depth allows the installer to set the spacing between each display to meet your application's needs. With 360° of swivel, and 0° to 20° of tilt, this mount creates the perfect viewing angle for any application. The mount has been designed with superior aesthetics in mind and provides a bottom cover, resulting in sleek and clutter-free cable management throughout the entire solution.

DST975-4's telescoping arms offer spacing flexibility, so you can find the perfect placement for your display.



Additional Features

- ✓ Universal mount fits displays with mounting patterns up to 730 x 405mm (28.75"W x 15.95"H)
- ✓ 0° to 20° of tilt and 360° of swivel at time of installation
- ✓ Arms telescope to allow for the desired display spacing
- ✓ Bottom cover provides aesthetically pleasing cable management
- ✓ Tri and Hex options also available



DST975-4 Multi-Display Ceiling Mount with Four Telescoping Arms for 37"-75" Displays

Product Specifications

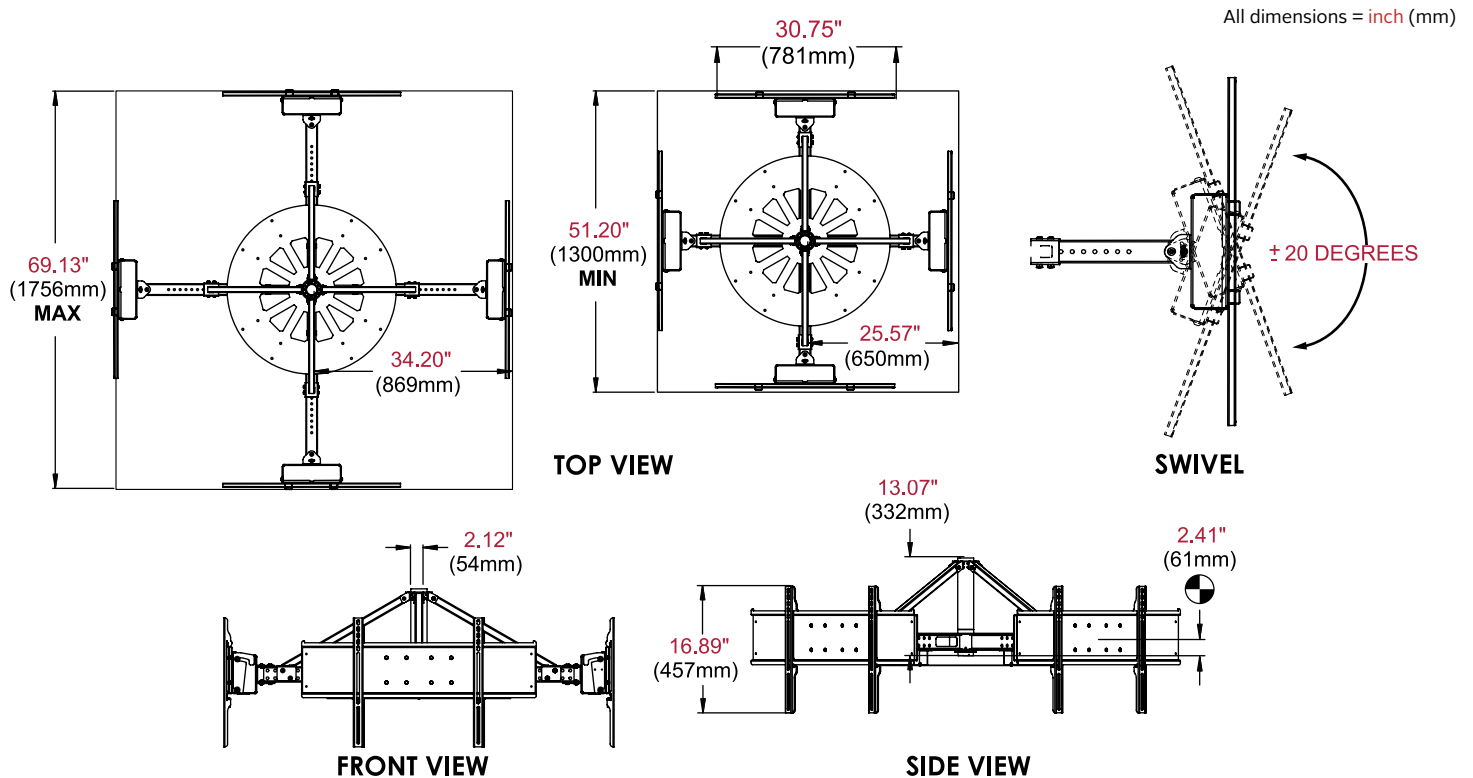
	DIMENSIONS (W x H x D)	PRODUCT WEIGHT	LOAD CAPACITY	FINISH	AVAILABLE COLORS
DST975-4	51.20" x 21.80" x 51.20" (1300 x 554 x 1300mm)	141lb (64.1kg)	500lb (227kg) 125lb (57kg) per display	Matte/Flat	Black

Package Specifications

	PACKAGE SIZE (W x H x D)	PACKAGE SHIP WEIGHT	PACKAGE UPC CODE	PACKAGE CONTENTS	UNITS IN PACKAGE
DST975-4	33.10" x 31.90" x 10.75" (841 x 810 x 273mm)	164lb (74.5kg)	735029302469	Mounting hub, telescoping arms, universal adaptor plate and mounting hardware	1

Accessories

ADD Models: Ceiling Extensions
DCS, DCT Models: Ceiling Plates



Architect Specifications

The Multi-Display Ceiling Mount with Four Telescoping Arms shall be a Peerless-AV model DST975-4 and shall be located where indicated on the plans. Assembly and installation shall be done according to instructions provided by the manufacturer.

Visit peerless-av.com to see the complete line of AV solutions from Peerless-AV, including outdoor displays, wireless, kiosks, digital audio, display mounts, projector mounts, carts/stands, and a full assortment of accessories.

Peerless-AV
 2300 White Oak Circle
 Aurora, IL 60502 USA
(800) 865-2112
(630) 375-5100
Fax: (800) 359-6500

Peerless-AV Europe
 Unit 3 Watford Interchange
 Colonial Way, Watford
 Herts, WD24 4WP
 United Kingdom
+44 (0) 1923 200100
Fax: +44 (0) 1923 200101

Peerless-AV de México
 Ave de las Industrias 413
 Parque Industrial Escobedo
 Escobedo, N.L.,
 Mexico 66050
+52 (81) 8384-8300
Fax: +52 (81) 8384-8360



DST980-3



Display size
37"-80"



Max load
495lb (225kg)
165lb (75kg per display)

Multi-Display Ceiling Mount with Three Telescoping Arms

FOR 37" TO 80" DISPLAYS

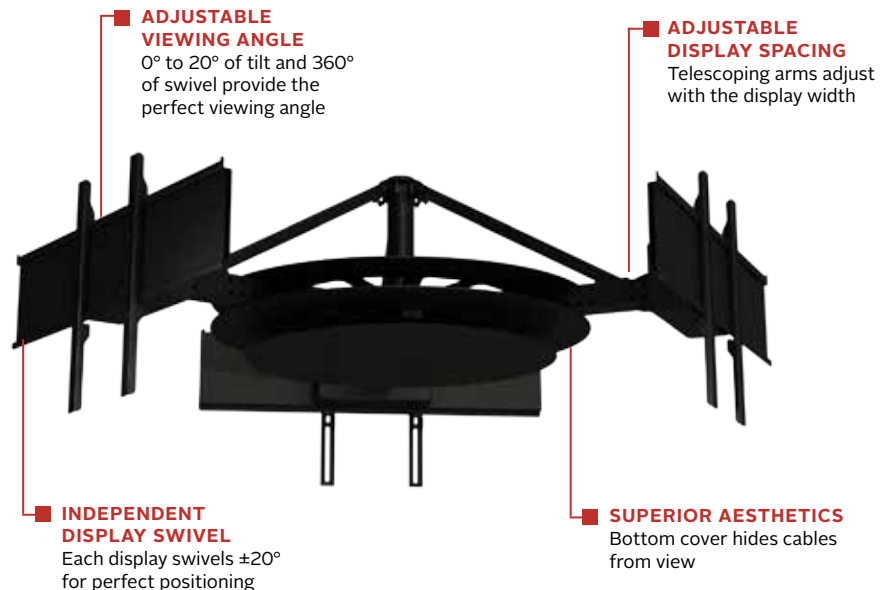
The DST980-3 Multi-Display Ceiling Mount includes telescoping arms that hold three displays evenly spaced in a triangular configuration, helping you create the ideal multi-display ceiling mounted solution. Each arm's adjustable depth allows the installer to set the spacing between each display to meet your application's needs. With 360° of swivel, and 0° to 20° of tilt, this mount creates the perfect viewing angle for any application. The mount has been designed with superior aesthetics in mind and provides a bottom cover, resulting in sleek and clutter-free cable management throughout the entire solution.

DST980-3's telescoping arms offer spacing flexibility, so you can find the perfect placement for your display.



Additional Features

- ✓ Universal mount fits displays with mounting patterns up to 730 x 405mm (28.75"W x 15.95"H)
- ✓ 0° to 20° of tilt and 360° of swivel at time of installation
- ✓ Arms telescope to allow for the desired display spacing
- ✓ Bottom cover provides aesthetically pleasing cable management
- ✓ Quad and Hex options also available



DST980-3 Multi-Display Ceiling Mount with Three Telescoping Arms for 37"-80" Displays

Product Specifications

	DIMENSIONS (W x H x D)	PRODUCT WEIGHT	LOAD CAPACITY	FINISH	AVAILABLE COLORS
DST980-3	59.00" x 21.80" x 59.00" (1499 x 554 x 1499mm)	119lb (54kg)	495lb (225kg) 165lb (75kg) per display	Matte/Flat	Black

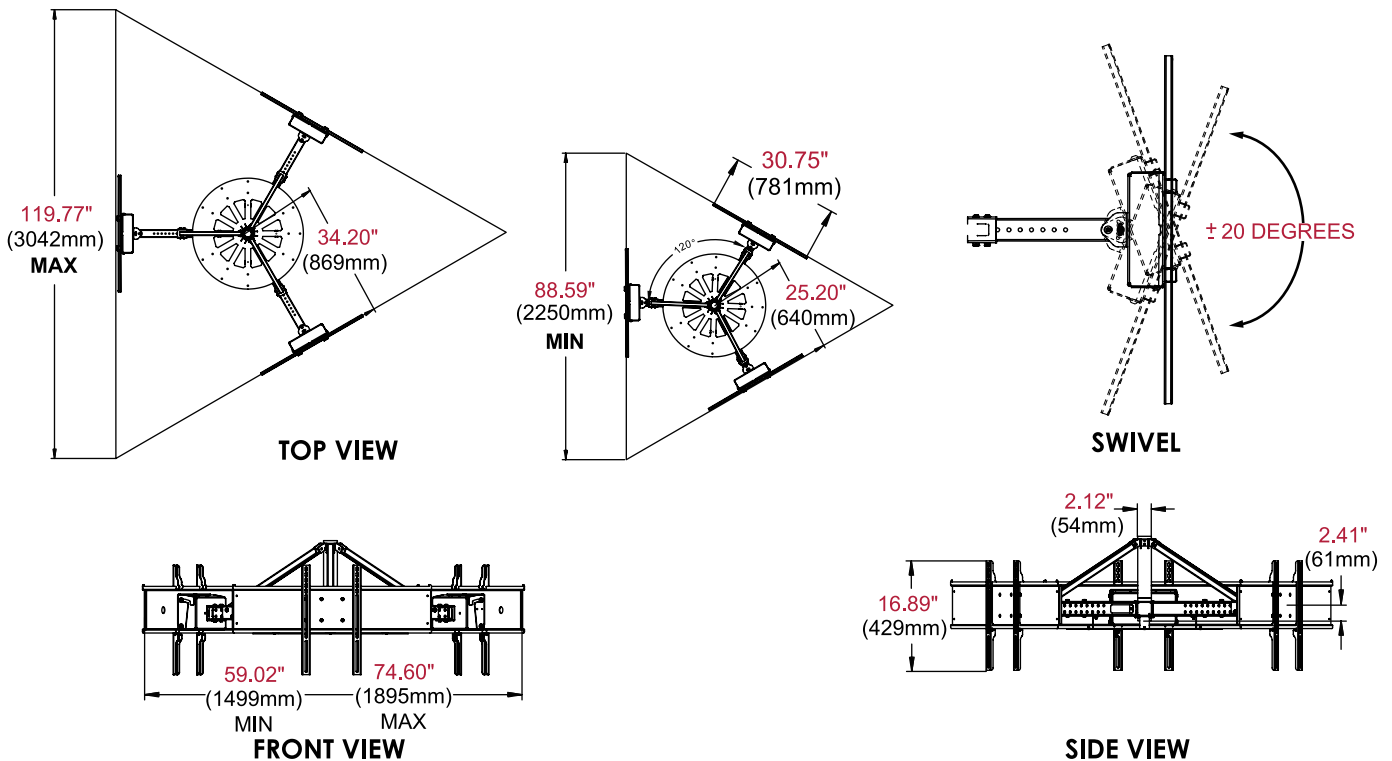
Package Specifications

	PACKAGE SIZE (W x H x D)	PACKAGE SHIP WEIGHT	PACKAGE UPC CODE	PACKAGE CONTENTS	UNITS IN PACKAGE
DST980-3	33.10" x 31.90" x 10.75" (841 x 810 x 273mm)	140lb (63.6kg)	735029302452	Mounting hub, telescoping arms, universal adaptor plate and mounting hardware	1

Accessories

ADD Models: Ceiling Extensions
DCS, DCT Models: Ceiling Plates

All dimensions = inch (mm)



Architect Specifications

The Multi-Display Ceiling Mount with Three Telescoping Arms shall be a Peerless-AV model DST980-3 and shall be located where indicated on the plans. Assembly and installation shall be done according to instructions provided by the manufacturer.

Visit peerless-av.com to see the complete line of AV solutions from Peerless-AV, including outdoor displays, wireless, kiosks, digital audio, display mounts, projector mounts, carts/stands, and a full assortment of accessories.

Peerless-AV
 2300 White Oak Circle
 Aurora, IL 60502 USA
(800) 865-2112
(630) 375-5100
Fax: (800) 359-6500

Peerless-AV Europe
 Unit 3 Watford Interchange
 Colonial Way, Watford
 Herts, WD24 4WP
 United Kingdom
+44 (0) 1923 200100
Fax: +44 (0) 1923 200101

Peerless-AV de México
 Ave de las Industrias 413
 Parque Industrial Escobedo
 Escobedo, N.L.,
 Mexico 66050
+52 (81) 8384-8300
Fax: +52 (81) 8384-8360

