

SPKSU



**Max Load**  
22lb  
(10kg)

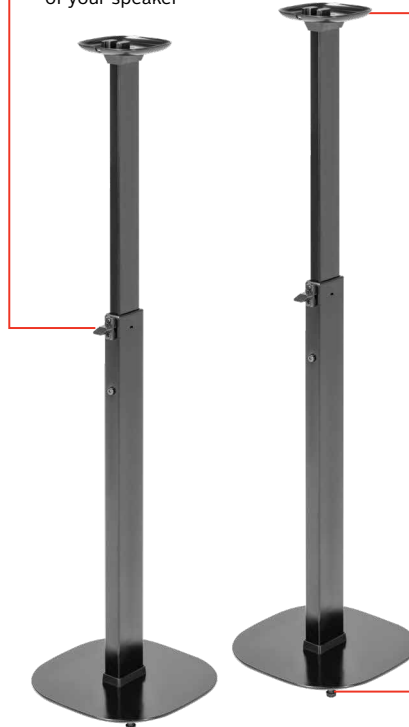
# Universal Speaker Stands (One Pair)

FOR SPEAKERS UP TO 22LB (10KG)

The Universal Speaker Stands come with all the supplies needed to achieve the perfect placement of your speakers. It is designed with two base feet styles — plastic pads for solid surfaces and steel spikes to sit steadily on carpeted surfaces. The weighted base will reduce any sound vibrations, and the steel construction provides strength and durability. The stands are specifically compatible with the Sonos® One and Sonos® One SL Speakers, but also include all necessary attachment hardware to mount different speakers up to 22lb.

- Universal design accommodates most speaker sizes
- Compatible with Sonos® One Speakers
- Weighted base ensures stability and reduces secondary sound vibrations
- Heavy-duty steel construction provides extra strength and durability
- Includes all necessary speaker attachment hardware

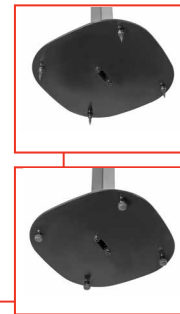
**HEIGHT ADJUSTABLE**  
Achieve perfect placement of your speaker



**INTERNAL CABLE ROUTING**  
Cable management integrated in column keeps cables concealed and organized



**TWO BASE FEET STYLES INCLUDED**  
Plastic pads for solid surfaces and steel spikes for carpeted surfaces ensure stability



Adaptors for bottom mounted speakers



Adaptors for rear mounted speakers



Additional adaptors for rear mounted speakers



Adaptors for Sonos® One / Sonos® One SL speakers

Please visit [peerless-av.com/en-us/patents](http://peerless-av.com/en-us/patents) for patent information.

<b>SPKSU</b>	Universal Speaker Stands (One Pair) for Speakers up to 22lb (10kg)
--------------	--

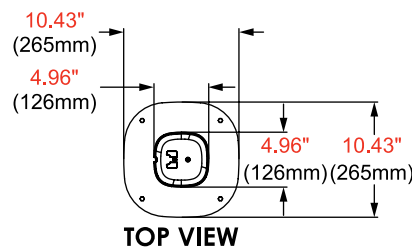
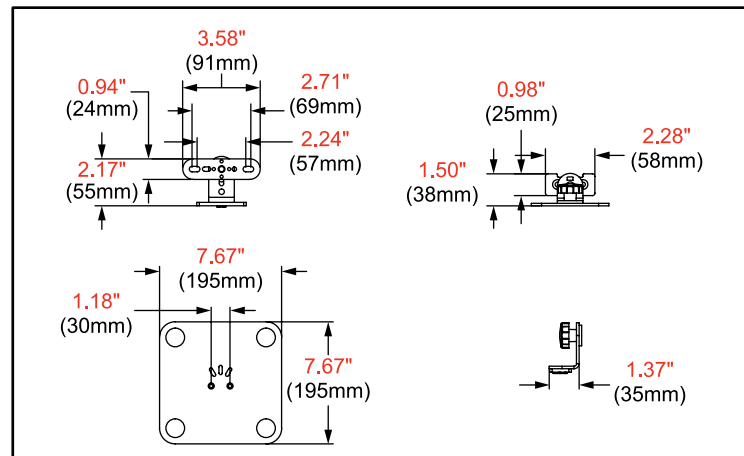
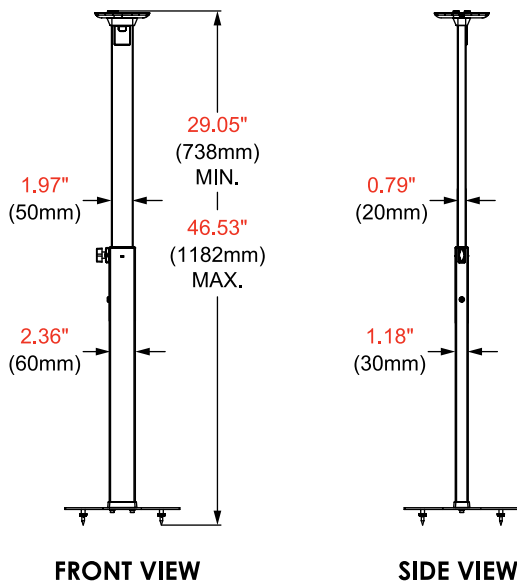
**Product Specifications**

	DIMENSIONS (W x H x D)	PRODUCT WEIGHT	LOAD CAPACITY	FINISH	AVAILABLE COLORS
<b>SPKSU</b>	10.43" x 29.05"-46.53" x 10.43" (265 x 738-1182 x 265mm)	9.9lb (4.5kg)	22lb (10kg)	Scratch Resistant Fused Epoxy	Black

**Package Specifications**

	PACKAGE SIZE (W x H x D)	PACKAGE SHIP WEIGHT	PACKAGE UPC CODE	PACKAGE CONTENTS	UNITS IN PACKAGE
<b>SPKSU</b>	28.25" x 2.40" x 11.06" (718 x 61 x 281mm)	10.4lb (4.7kg)	735029347262	(2) Speaker Stands, Mounting Hardware & Installation Instructions	1

All dimensions = inch (mm)



**Architect Specifications**

The Universal Speaker Stands (One Pair) shall be a Peerless-AV model SPKSU and shall be located where indicated on the plans. Assembly and installation shall be done according to instructions provided by the manufacturer.

Visit [peerless-av.com](http://peerless-av.com) to see the complete line of AV solutions from Peerless-AV, including outdoor displays, kiosks, display mounts, projector mounts, carts/stands, and a full assortment of accessories.

**Peerless-AV**  
2300 White Oak Circle  
Aurora, IL 60502  
USA  
**(800) 865-2112**  
**(630) 375-5100**

**Peerless-AV EMEA**  
Unit 2 Curo Park  
Frogmore, St. Albans  
Hertfordshire, AL2 2DD  
United Kingdom  
**+44 (0) 1923 200 100**

**Peerless-AV B.V.**  
Papendorpseweg 75  
3528 BJ Utrecht  
The Netherlands  
**+31 (0) 70 770 8037**

**Peerless-AV Latin America**  
Av. de las Industrias 413  
Parque Industrial Escobedo  
General Escobedo, N.L.,  
México, 66062  
**+52 (81) 8384-8300**

