



Product Catalog

Domestic
Fall 2013



make all
your

streams
come true

The Russound **Digital Media Streamer**



More features, easier to install. Simply streamy.

3 simultaneous streams | multiple USB ports | SiriusXM enabled
iPad & iPhone controllable | C-Series integration

www.russound.com





Table of Contents

Product Spotlights

My Russound iPad® App	4
DMS-3.1 Digital Media Streamer.....	4

Multiroom Audio Systems

C-Series Systems	5-8
CAA Systems	9-10
CAS Systems	11-12
CA4 Systems	13
A-BUS® Systems	14-18

Source Equipment

Bluetooth Receivers for Multiroom Systems..	19
Smart AM/FM Tuner	19
iBridge System	19
Video Distribution	20-21

Loudspeakers & Amplifiers

Acclaim® Speakers	22-25
Outdoor Speakers	23
Rough-In Speaker Boxes	26
Flexbox Back Boxes	26
R-Series & X-Series Amplifiers	27-29

Impedance Matching

Volume Controls	30
Speaker Selectors	31

Intercom Systems

ComPoint® Intercom System	32-34
---------------------------------	-------

IR Systems

SaphIR® Systems	35-36
-----------------------	-------

Accessories

PlateMate	37-38
Data & Speaker Cables	38
System Accessories	38
Accessory Ordering Chart.....	38

Russound Information

Warranty	40
Russound Pledge	40



My Russound MRA-3

Control your Russound C-Series Multiroom Audio System and all connected sources from the comfort of your iOS device. My Russound application offers seamless integration with the C-Series Controller and there's no additional hardware to purchase, simply download My Russound from the iTunes store.

Minimum System Requirements: MCA-C3 v3.00.01, MCA-C5 v4.00.02

My Russound is only compatible with the MCA-C3 and MCA-C5 series of multiroom audio controllers.

- Control any Main/Master zone within the system
- Source metadata
- Content browsing

Download **My Russound** from the iTunes store!

DMS-3.1 Digital Media Streamer

\$2,200.00



Three independent streaming outputs and one AM/FM tuner with RDS feedback. Streams content from internet radio stations and music service providers. Provides access and playback of digital audio files on LAN connected UPnP/DLNA devices. Supports content playback from connected USB storage devices. Includes: DMS-3.1 Digital Media Streamer, AM Antenna, FM Antenna. Pair rack-mount ears, power supply. Rack-mountable 1U high.



As an Apple® Certified AirPlay® accessory, audio content can be sent to the DMS-3.1 from computers using iTunes®, iPad®, iPhone® and iPod touch®.



USB



Shipping Weight:
10.2 lbs (4.63 kg)

Dimensions:
17" W x 8.5" D x 1.75" H
(430 x 203 x 440 mm)

SiriusXM Internet Radio Service is available in the USA, PR, Mexico, and Canada.

2450-533419 DMS-3.1



SLK-1



MDK-C6



TS3



My Russound App

powerful scalable intuitive

The C-Series multiroom system offers advanced features that make enjoying your musical experience even easier. Party Mode allows you to control the music and volume in every room from one room using a shared source. Source Linking connects multiple rooms to the same source while allowing independent volume and on/off control. This allows you to have your music follow you throughout your home. Zone Linking provides control of multiple rooms by one or more keypads, perfect for open concept homes.



get connected

The C-Series System is designed for integration, with Home Theater triggers, routed and common IR outputs, 12VDC trigger outputs, an optional system wide paging capability for intercom and telephone systems, and an RS-232 port for connection to home integration systems.

time to play

Featuring a system wide clock with alarm and sleep timer functions for individual rooms, the C-Series System can provide the time, wake you to music, and help you delay your day, all with your favorite music.





MCA-C5 Multizone Controller Amplifier

\$3,050.00

The MCA-C5 is a 8 zone/8 source controller amplifier. 8 zones of audio with adjustable bass/treble/loudness/balance with digital amplification providing 40W/channel to zones one through six, 8 source inputs with loop outputs and fixed or variable line outputs per zone, routed IR, built-in IR learning and a pre-programmed IR library, paging and system muting. Internal AM/FM Tuner with RDS (optional source 1). Source linking and zone linking. Front USB and rear RS-232 serial ports, rear Ethernet port, color-coded detachable 14-gauge snap connectors, 12V & home theater triggers. AM and FM antennas included. Controllers are rack-mount 2-unit high, and include rack ears.

Dimensions:
17" W x 3.5" H x 17.2" D
(432 x 90 x 436 mm)

Shipping Weight:
34.55 lbs (15.68 kg)

1550-530913 MCA-C5



KT2-C5 Multizone Controller Amplifier System Kit with MDK-C6

\$4,699.00

Includes:

- Controller (MCA-C5)
- **6 System Keypads (MDK-C6)**
- Remote Control (SRC-C5)
- AM antenna
- FM antenna
- Pair rack ears
- 6 IR emitters (845.1)
- 6 White wallplates

Shipping Weight:
38.35 lbs (17.4 kg)

1550-534324 KT2-C5



KT2-C5S Multizone Controller Amplifier System Kit with SLK-1

\$4,500.00

Includes:

- Controller (MCA-C5)
- **6 Single Line Keypads (SLK-1)**
- Remote Control (SRC-C5)
- AM antenna
- FM antenna
- Pair rack ears
- 6 IR emitters (845.1)
- 6 White wallplates

Shipping Weight:
40 lbs (18.14 kg)

1550-534515 KT2-C5S



MCA-C3 Multizone Controller Amplifier

\$2,099.00

The MCA-C3 is a 6 zone/6 source controller amplifier. 6 zones of audio with adjustable bass/treble/loudness/balance with analog amplifiers providing 20W/channel to all 6 zones, 6 source inputs and fixed or variable line outputs for zones 1 and 2, routed IR, built-in IR learning and a preprogrammed IR library, paging (optional source 6) and doorbell muting. Internal AM/FM Tuner with RDS (optional source 1). Source linking and zone linking. Front USB and rear RS-232 serial ports, rear Ethernet port, color-coded detachable 14-gauge snap connectors, 12V and home theater triggers. AM and FM antennas included. Controllers are rack-mount 2-unit high, and Low standby power consumption of less than 1 watt on selected models. Rack ears included.

Dimensions:
17" W x 3.5" H x 13.75" D
(432 x 90 x 350 mm)

Shipping Weight:
26.2 lbs. (11.88 kg)

1550-532986 MCA-C3



KT2-C3 Multizone Controller Amplifier System Kit with MDK-C6

\$3,999.00

Includes:

- Controller (MCA-C3)
- **6 System Keypads (MDK-C6)**
- Remote Control (SRC-C5)
- AM antenna
- FM antenna
- Pair rack ears
- 6 IR emitters (845.1)
- 6 White wallplates

Shipping Weight:
32 lbs (14.5 kg)

1550-534362 KT2-C3



KT2-C3S Multizone Controller Amplifier System Kit with SLK-1

\$3,500.00

Includes:

- Controller (MCA-C3)
- **6 Single Line Keypads (SLK-1)**
- Remote Control (SRC-C5)
- AM antenna
- FM antenna
- Pair rack ears
- 6 IR emitters (845.1)
- 6 White wallplates

Shipping Weight:
38.35 lbs (17.4 kg)

1550-534522 KT2-C3S

A-SZ4 4 Subzone Hub Controller



\$599.00

The A-SZ4 adds 4 A-BUS subzones to C-Series controllers. Up to two per controller can be used. Supports A-K3, A-K5L, A-K5L & A-KSC, A-KP2 keypads. Subzones are fully addressable for host zone/controller. Rack ears included. Half rack width for side by side installation.

Dimensions:
1.75" H x 8.5" W x 10.5" D
(445 x 216 x 267 mm)

Shipping Weight: 4 lbs (1.81 kg)

2000-533686 A-SZ4

MDK-C6 Multiline Display Keypad



\$349.99

Wall-mounted, standard fit, double-gang keypad for the Multizone Controller Amplifier (MCA-C3 or MCA-C5). 2.75" diagonal, high-resolution gray scale LCD screen displays real-time system information. Responsive hard buttons provide easy navigation of sources and content. Adjustable brightness, volume, bass, treble, and balance. Access to source selection and control, party mode, all off/on, and alarm and sleep timer. RJ-45 connection.

Dimensions:
4.5" W x 4.5" H (114 x 114 mm)

Shipping Weight: 1 lb (454 g)

1550-534294 MDK-C6



MDK-C6 CONV Color Conversion Kit

\$11

Includes 1 Decora Trim, 1 Keypad Bezel and 13 Buttons.

Shipping Weight: 4 oz (114 g)

1550-534430 White
1550-534447 Light Almond
1550-534423 Almond
1550-534409 Bone
1550-534416 Brown
1550-534393 Black

SLK-1 Single Line Keypad



\$259.99

Wall-mounted, standard fit, single-gang keypad designed for individual zone control of MCA-C3/MCA-C5 Multiroom Controller Amplifier (wall plate not included).

Dimensions:
1.85" W x 2.7" D x 1.47" H
(47 x 69 x 37 mm)

Shipping Weight:
4.0 oz (113 g)

1550-534300 SLK-1



SLK-1 Color Conversion Kit

\$15

Includes 6 Decora inserts and 8 buttons for SLK-1.

Shipping Weight:
2 oz (.1 kg)

1210-534492 White
1210-534508 Light Almond
1210-534485 Almond
1210-534461 Bone
1210-534478 Brown
1210-534454 Black



TS3 Touchscreen

\$850.00

The TS3 Touchscreen size and weight are the same as its predecessor, the UNO-TS2. The TS3 works exclusively with C-Series and supports all features: 3.5" Color TFT Screen with Improved off axis viewing. Single CAT-5 connectivity and 2-gang workbox mounting. Firmware update-capable with streamlined process using a USB flash drive.

- High contrast, wide angle TFT color display
- Supports all C-Series multiroom systems features; sleep timer, clock, etc.
- Displays available system and source information
- Upgradable firmware through USB port
- Defeatable front panel IR Receiver
- Installs easily in double gang box
- Works with Desktop Stand DTS1 to be used on a desk, table, or counter top

Shipping Weight: 1.2 lbs

2620-533303 TS3 White
2620-533327 TS3 Almond
2620-533310 TS3 Bone
2620-533334 TS3 Black
2620-533341 TS3 Brown



DTS2 Keypad Desktop Stand

\$99

Desktop Stand is an accessory base that allows the C-Series MDK-C6 keypad and TS3 Color Touchscreen to be used on a desk, table, or counter top. Weighted body and non-skid base.

Dimensions:
5.92" W x 5.38" D x 4.68" H
(152 x 138 x 120 mm)

Shipping Weight:
1.93 lbs (0.87 kg)

7301-534805 DTS2 White
7301-534812 DTS2 Black

Accessories



SA-ZX3 Keypad Splitter

\$99.00

Increases power output for connecting up to 3 system keypads to one keypad output on a Russound RNET Controller Amplifier. Includes: 1 RJ-45 input jack, 3 RJ-45 keypad jacks, 1 1201A 120V power supply.

Shipping Weight: 4 oz (.11 kg)

2500-120497 SA-ZX3, includes power supply
2500-120176 SA-ZX3, does not include power supply



SRC-C5 Remote Control

\$79.00

Pre-programmed with IR learning capabilities for control of electronics from one remote. Commands up to 8 sources and includes two favorites keys for fast access to satellite channels or radio stations. Backlit buttons.

Shipping Weight 1 lb (.45 kg)

1550-530906 SRC-C5



Advanced Programming Cable

\$25.00

For KP4, KP6, KPL keypads, ComPoint components and iBridge Dock. Female DB-9 connection (PC end) and flat device pin connection (device end).

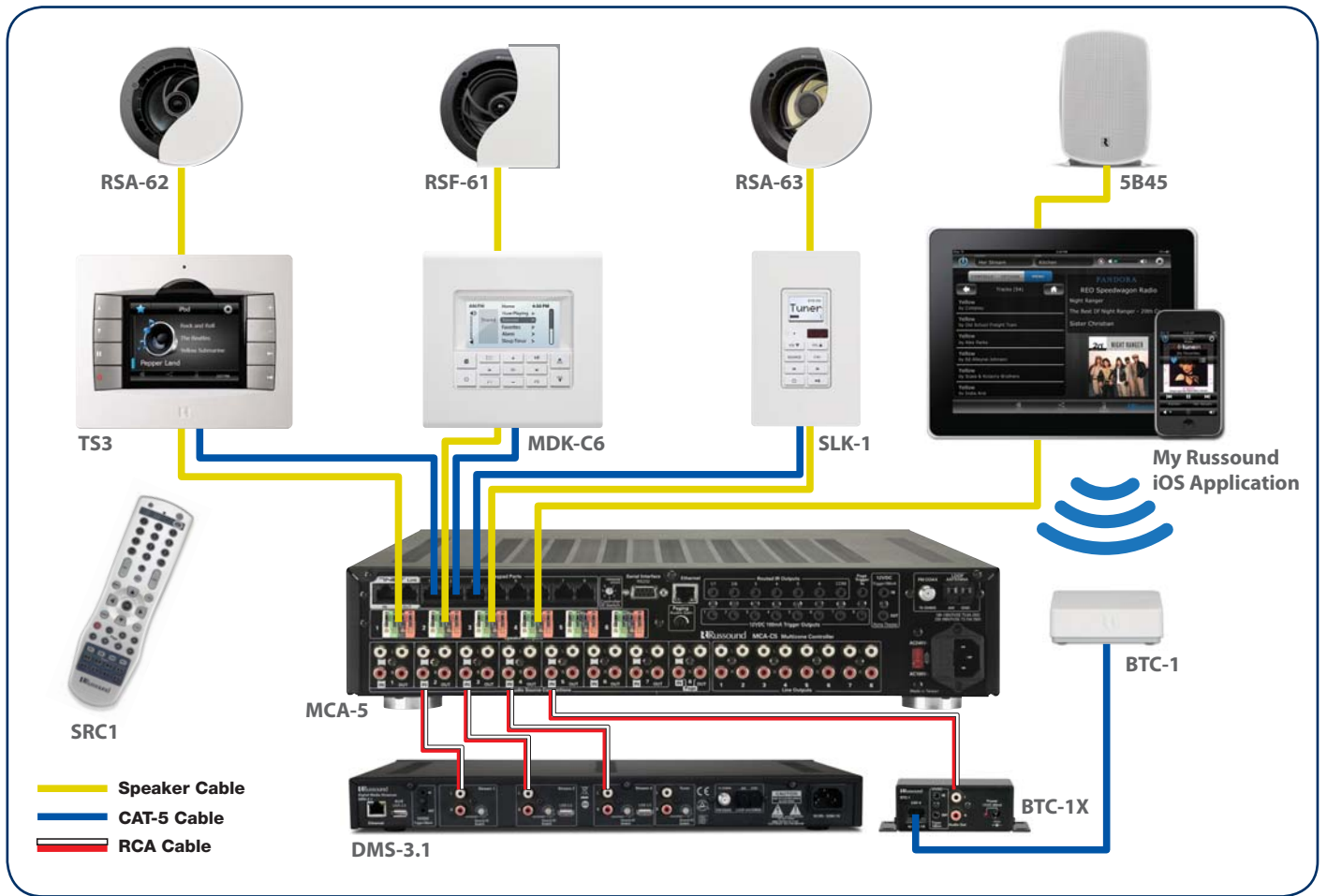
Length: 72" L (182.9 cm)

Shipping Weight 1 lb (0.45 kg)

2500-521065

C-Series Systems

Diagram

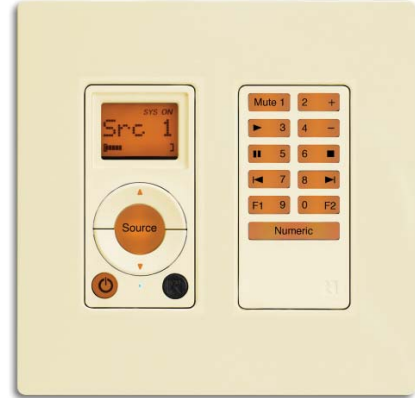




KPL



KP6



KPSC with KPL

affordable excellence

Music anywhere you want it, at the touch of a button. That's what you'll get with the Russound CAA66 Controller Amplifier. Classical music in the bedroom, rock in the den, and salsa in the kitchen. A multiroom system for everyone to enjoy.



elegant and easy

The CAA keypads deliver elegant access that's easy to use. Directly select sources: adjust volume, bass, treble, balance and volume whenever you want it. Add an optional KPSC keypad. Link multiple controllers together for an increased number of rooms, or add up to three keypads per zone for total convenience.

complete control

To make your multiroom system even more convenient to use, Russound offers a sleek, ergonomic remote control. Easy to operate and packed with useful features, the remote provides an added level of access to your music.



CAA66 Controller Amplifier

\$1,599.00

6 zones (40W/zone), front panel programming center, built-in IR learning, rear RS-232 serial port, extensive built-in IR library, controller link in and out, color-coded detachable 14-gauge snap connectors, rack-mount 2-unit high. 6 IR emitters with controller only, no keypads. Rack ears included.

Dimensions:
17" W x 12" D x 3.5" H
(432 x 305 x 89 mm)

Shipping Weight:
23 lbs (10.4 kg)

1210-524882 CAA66



CAA66K & CAA66L Controller Amplifier Kits

CAA66L \$2,599.00 | CAA66K \$2,099.00

Includes:

- CAA66K: 6 white, Decora® style KP6 single-gang keypads featuring amber backlit buttons, 20 source selections, plus IR pass-through and confirmation
- CAA66L: 6 Decora style KPL single-gang keypads featuring amber backlit LCD panel, source selection, system indication, plus IR pass-through and confirmation
- System remote control
- Amplifier controller

Dimensions:
17" W x 12" D x 3.5" H
(432 x 305 x 89 mm)

Shipping Weight:
29 lbs (13.2 kg)

1210-528347 CAA66L

1210-528354 CAA66K





KPL LCD Keypad (for CAA66/CAS44)

\$259.00

In-wall Decora® style single-gang keypad featuring backlit LCD panel, amber backlit soft-touch buttons, assignable source names, IR pass-through, 110 punch-down connector, system status feedback, user adjustable zone bass, treble, loudness and balance. Wall plates not included.

Dimensions:
1.85" W x 2.7" D x 1.47" H (47 x 69 x 37 mm)

Shipping Weight:
4.0 oz (113 g)

1210-528385 KPL



KPL 6 Color Conversion Kit (for KPL)

\$39.00

Includes 6 Decora inserts.

Shipping Weight:
2 oz (.1 kg)

1210-525100 White
1210-534126 Light Almond
1210-525117 Almond
1210-525124 Bone
1210-525131 Black
1210-525148 Brown



KP6 System Keypad (for CAA66)

\$159.00

In-wall Decora style single-gang keypad featuring amber backlit soft-touch buttons, 20 source name labels, source selection, plus IR pass-through and confirmation. 110 punch-down connector, installer adjustable zone bass, treble, loudness and balance. Wall plates not included.

Dimensions:
1.85" W x 2.7" D x 1.47" H (47 x 69 x 37 mm)

Shipping Weight:
4.0 oz (113 g)

1210-528392 KP6



KP6 6 Color Conversion Kit (for KP6)

\$39.00

Includes 6 Decora inserts.

Shipping Weight:
2 oz (.1 kg)

1210-525209 White
1210-534119 Light Almond
1210-525216 Almond
1210-525223 Bone
1210-525230 Black
1210-525247 Brown



KPSC Optional Source Control Keypad (for KP6 or KPL)

\$79.00

In-wall Decora style single-gang keypad accessory adds source control and numeric control capability to KP6 and KPL keypads. The keypad has amber backlit soft-touch buttons. Wall plates not included. Not compatible with CAS44. This is not a standalone keypad.

Dimensions:
1.85" W x 2.7" D x 1" H (47 x 69 x 25 mm)

Shipping Weight:
3 oz (85 g)

1210-528415 KPSC



KPSC 6 Color Conversion Kit (for KPSC)

\$39.00

Includes 6 Decora inserts.

Shipping Weight:
2 oz (.1 kg)

1210-525452 White
1210-534133 Light Almond
1210-525469 Almond
1210-525476 Bone
1210-525483 Black
1210-525490 Brown



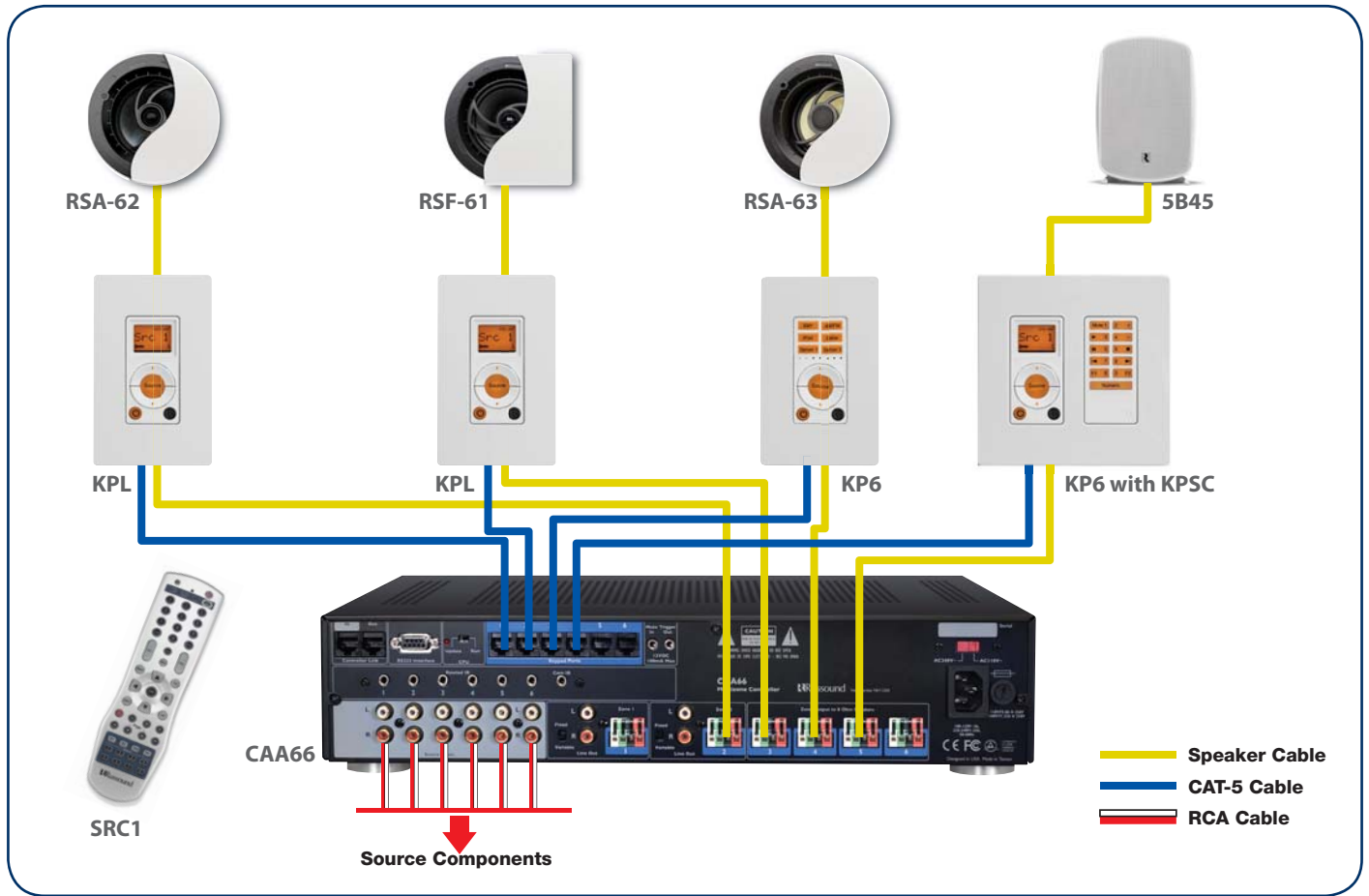
SRC1 CAA System Remote Control

\$59.00

Designed for use with Russound controllers and keypads in CAA66, CAM6.6, CAV6.6 and RNET® systems. The SRC1 is a system remote only and does not support learning IR codes.

Shipping Weight:
4 oz (113 g)

1210-524127 SRC1

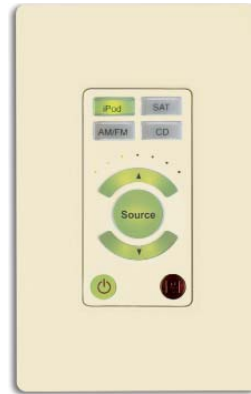


affordable excellence

Share your music anywhere in your home, at the touch of a button. Engineered for elegance and flexibility, the CA4 multizone controller amplifier makes enjoying your music throughout your home an affordable luxury.

For system control, the CA4-KP keypad lets you select between four sources and adjust bass, treble and loudness. It also provides selection for source grouping, all on, all off, and party mode. The keypad features green backlighting, and includes an IR receiver and IR confirmation through an LED status indicator.

For larger homes or individual rooms selected as zones, two CAS44s can be linked together for an eight zone system. Each zone can be supported by up to three keypads for convenience.



CA4-KP



CA4-WP



CA4 Multizone Controller

\$799.00

4 source/4 zone rack mountable, source grouping, party mode, fixed and variable line outputs, 1-unit high, 4 zones at 30W/zone, rear RS-232 port, RJ-45 expander jack, 4 single emitters (845.1). Fixed and variable line output (Zone 4 only). CA4-WP and Rack ears included.

Shipping Weight: 11 lbs

1200-529689 CA4



CA4-WP Wall Port

\$70.00

Single-gang, in-wall port for connection of a CA4 multizone controller to four CA4-KP zone keypads and four pairs of speakers. 4 RJ-45 inputs, 4 RJ-45 keypad outputs, 4 speaker terminal pairs. Wall plates not included.

Shipping Weight: 0.1 oz

1200-529719 CA4-WP White



CA4-RC System Remote Control

\$79.00

Advanced IR learning and pre-programmed remote control for CA4 multizone controller. It is designed to operate source devices and the CA4 multizone audio system keypads. Controls up to four devices.

Shipping Weight: 0.4 oz

1200-529702 CA4-RC



CA4-KT1 Multiroom Controller System Kit

\$1,100.00

Shipping Weight: 14.60 lbs

1200-530418 CA4-KT1

Includes:

- Controller (CA4)
- 4 System Keypads (CA4-KP)
- 4 Emitters (845.1)
- System Remote Control (CA4-RC)
- Pair Rack Ears



CA4-KP System Keypad

\$129.00

Single-gang, in-wall Decora® style keypad for control of a CA4 multizone audio system. 1 RJ-45 connection. Wall plates not included.

Shipping Weight: 0.1 oz

1200-529696 CA4-KP White



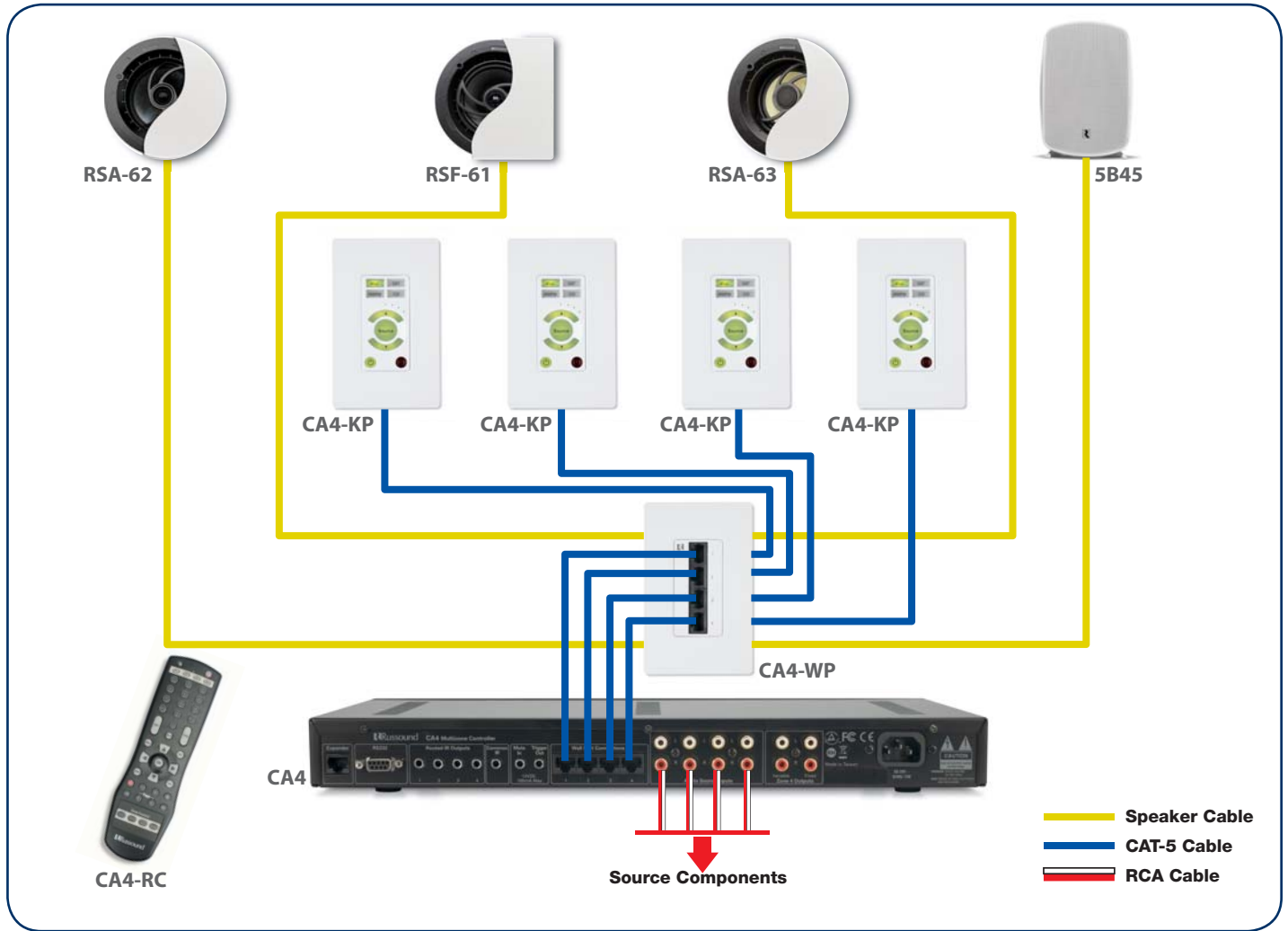
CA4-KP Color Conversion Kit

\$39.00

Includes (4) Decora inserts and 1 wall port insert.

Shipping Weight: 2 oz (.1 kg)

- 1200-531057 White
- 1200-534096 Light Almond
- 1200-531064 Almond
- 1200-531095 Bone
- 1200-531071 Black
- 1200-531088 Brown

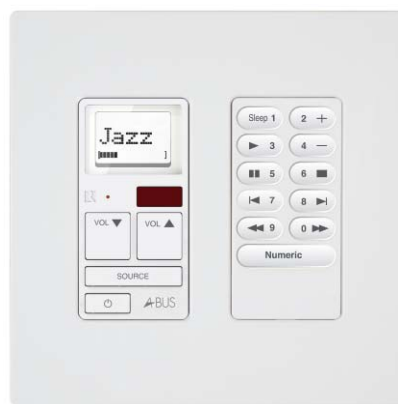




A-K4



A-K6L



A-KPSC with A-K6L



A-LC3

system expandability

From hubs and controllers to amplified keypads, an A-BUS system installs using CAT-5 cable and keypads fit into standard low voltage workboxes. Installation, whether in new construction or an existing home, is a snap. The modular design of A-BUS components makes future system expansion painless. Add additional A-BUS hubs or controllers to increase the number of system rooms.



BTA-1 A-BUS Bluetooth® Module

\$250.00

The BTA-1 A-BUS Bluetooth receiver integrates with Russound A-BUS multiroom systems, which are also interconnected using standard CAT-5 cable. The A-BUS Bluetooth receiver streams content to the local A-BUS keypad, so it serves as a local source within the room whose audio that particular keypad controls.

Dimensions: 2.7"W x 0.9"H x 2.2"D (68 x 23 x 57 mm)

Shipping Weight: 3.1 oz (0.09 kg)

2460-533785 BTA-1



A-C68 6 Source/8 Zone Multizone Controller

\$1,598.00

Rack mountable, 1-unit high, rear RS-232 port, 2 RJ-45 expander jacks, 6 845.1 single emitters. IR library, sleep timer, learning and paging. Controller only, no keypads. Rack ears included.

Dimensions: 6" W x 21" H x 15" D (152 x 533 x 381 mm)

2000-527432 A-C68



A-C660 6 Source/8 Zone Controller Kit

\$2,599.00

Includes:

- Multizone Controller (A-C68)
- 6 Amplified LCD Keypads (A-K6L)
- System Remote (A-SRC1)
- 6 IR Emitter (845.1)

Shipping Weight: 18.5 lbs (8.4 kg)

2000-534867 A-C660



A-D440 Decora Style 1 Source/4 Zone Kit with Remote Control

\$999.00

Includes:

- In-wall Hub (A-H4D)
- 4 Amplified Keypads (A-K4)
- Learning Remote (A-LRC2)
- Dual IR Emitter (1584.1)
- Power Supply (A-PS)

Shipping Weight: 5 lbs
(2.27 kg)

2000-534881 A-D440



A-M440 Decora Style 4 Source/4 Zone Kit with Remote Control

\$1,499.00

Includes:

- 4 Source 4 Zone Surface Mount Hub (A-H484)
- 4 Amplified Keypads (A-K4)
- Learning Remote (A-LRC2)
- Dual IR Emitter (1584.1)
- Power Supply (A-PS)

Shipping Weight: 5 lbs
(2.27 kg)

2000-534881 A-D440



A-S440 1 Source/4 Zone Kit with Remote Control

\$1,009.00

Includes:

- Surface Mount Hub (A-H4)
- 4 Amplified Keypads (A-K4)
- Learning Remote (A-LRC2)
- Dual IR Emitter (1584.1)
- Power Supply (A-PS)

Shipping Weight: 4.7 lbs
(2.13 kg)

2000-534904 A-S440



A-H4D In-Wall 1 Source/4 Zone Hub

\$199.00

Fits in a standard double gang work box. Gold plated audio input and output RCA jacks, 4 IR emitter jacks, 110 punch-down terminals, 24 VDC power and 12 VDC status jacks. Wall plates not included.

Dimensions: 3.625" W x 4.125" H x 1.125" D
(9.2 x 10.5 x 4.8 cm)

- 2000-528224 A-H4D White/Almond
- 2000-117831 A-H4D Bone
- 2000-116056 A-H4D Black
- 2000-117855 A-H4D Brown



A-H4DX Expansion Hub

\$139.00

Plugs into existing A-H4D hub for 4 additional zones. Requires A-PS and A-H4D. Installation requires a three-gang work box. Wall plates are not included with keypads.

Dimensions: 6.5" W x 3" H x 1.225" D
(165 x 76 x 32 mm)

- Shipping Weight: 1 lb
- 2000-528231 A-H4DX White/Almond
- 2000-117893 A-H4DX Bone
- 2000-117909 A-H4DX Black
- 2000-117916 A-H4DX Brown



A-H4D CONV Color Conversion Kits for In-Wall Hubs

\$19.00

Wall plates not included.

Shipping Weight: 2 oz

- 2000-521928 A-H4D CONV White
- 2000-118739 A-H4D CONV Almond
- 2000-118708 A-H4D CONV Bone
- 2000-118722 A-H4D CONV Black
- 2000-118715 A-H4D CONV Brown



A-H484 4 Source/4 Zone Surface Mount Hub

\$599.00

4 pairs of gold plated audio RCA jacks, 4 routed IR emitter jacks, common IR jack, 8 RJ-45 keypad connectors, 12V trigger output, 2 power supply jacks.

Dimensions:
6.5" W x 5" H x 1.5" D
(165 x 127 x 38 mm)
Shipping Weight: 2.25 lbs
2000-115882 A-H484



A-H2 1 Source/2 Zone Surface Mount Hub

\$159.00

Gold plated audio input RCA jacks, 4 IR emitter jacks, 2 RJ-45 keypad connectors, 1 Expansion input, IR confirmation LED.

Dimensions: 6.5" W x 2" H x 1.5" D (165 x 51 x 38 mm)
Shipping Weight: 7 oz
2000-115837 A-H2



A-H4 1 Source/4 Zone Surface Mount Hub

\$219.00

Gold plated audio input/output RCA jacks, 4 IR emitter jacks, 4 RJ-45 keypad connectors, RJ-45 IR link input and output, IR confirmation LED. Requires A-PS power supply (Sold Separately).

Dimensions:
6.5" W x 3" H x 1.225" D
(165 x 76 x 32 mm)
2000-115851 A-H4



A-H1 1 Source Audio Interface

\$149.00

Uses standard RJ-45 jack. Supports A-BUS hubs like the A-H4P, A-H4. IR emitter outputs for source control.

Dimensions:
6.5" W x 3" H x 1.225" D
(165 x 76 x 32 mm)
Shipping Weight: 7 oz
2000-121845 A-H1



A-H4P 4 Zone Hub Panel

\$219.00

Single input structured wiring A-BUS audio distribution hub. Requires A-BUS ready source or A-H1 audio interface hub. Uses 110 punch-down connectors and CAT-5 for easy hookup. Requires A-PS power supply .

Dimensions:
6.5" W x 3" H x 1.25" D
(165 x 76 x 32 mm)
Shipping Weight: 8 oz
2000-121852 A-H4P



A-SZ4 4 Subzone Hub for C-Series Controllers

\$599.00

Adds four A-BUS subzones to C-Series controllers with up to two per controller can be used. Supports A-K3, A-K5L, A-K5L & A-KSC, A-KP2 keypads. Subzones are fully addressable for host zone/ controller. Half rack width for side by side installation. Works best with the MCA-C5 as this product relies upon zone line outputs.

Dimensions: 1.75"H x 8.5"W x 10.5"D
(445 x 216 x 267 mm)
2000-533686 A-SZ4



A-K6L Amplified LCD Keypad

\$378.00

Digital amp, LCD panel and IR receiver, bass, treble and loudness control, pre-amp output, configurable turn on and page volume levels, and page enable/disable, RJ-45 connector. Wall plates not included.

2000-534669 A-K6L White

A-K6L 4 Conversion Kits

2000-534676 A-K6L 4 White
2000-534720 A-K6L 4 Light Almond
2000-534683 A-K6L 4 Almond
2000-534713 A-K6L 4 Brown
2000-534706 A-K6L 4 Black



A-KSC2 Source Control Keypad

\$TBA

11-button keypad connects to A-K6L to add numeric and transport control of sources, for use with A-K6L and A-C68. Wall plates not included.

2000-534737 A-KSC2 White

A-KSC2 4 Conversion Kits

2000-534744 A-KSC2 4 White
2000-534799 A-KSC2 4 Light Almond
2000-534751 A-KSC2 4 Almond
2000-534782 A-KSC2 4 Brown
2000-534775 A-KSC2 4 Black



A-K4 Amplified Keypad

\$190.00

Analog amp, IR receiver, pre-amp outputs, left and right gain controls with RJ-45 connector. Wall plates not included.

2000-534591 A-K4 White

A-K4 4 Conversion Kits

2000-534607 A-K4 4 White
2000-534652 A-K4 4 Light Almond
2000-534614 A-K4 4 Almond
2000-534645 A-K4 4 Brown
2000-534638 A-K4 4 Black



A-LC3 Local Source Input

\$130.00

IR emitter for local source control, auto sensing to override audio, wires in line with CAT-5 between hub or controller and keypad. Wall plates not included.

2000-527456 A-LC3 White

A-LC3 4 Conversion Kits

2000-528736 A-LC3 4 White
2000-528743 A-LC3 4 Almond
2000-528750 A-LC3 4 Bone
2000-528774 A-LC3 4 Brown
2000-528767 A-LC3 4 Black



A-SRC1 System Remote Control (for A-C68)

\$78.00

A-BUS system remote control for A-C68, features source selection and control for up to six system sources and one local source.

2000-526749 A-SRC1



A-LRC2 Learning Remote Control

\$78.00

Features source selection and control for up to seven devices and A-BUS system keypads. Pre-programmed with most major brands of audio and video equipment, can learn IR commands.

2000-526732 A-LRC2



A-PS Power Supply

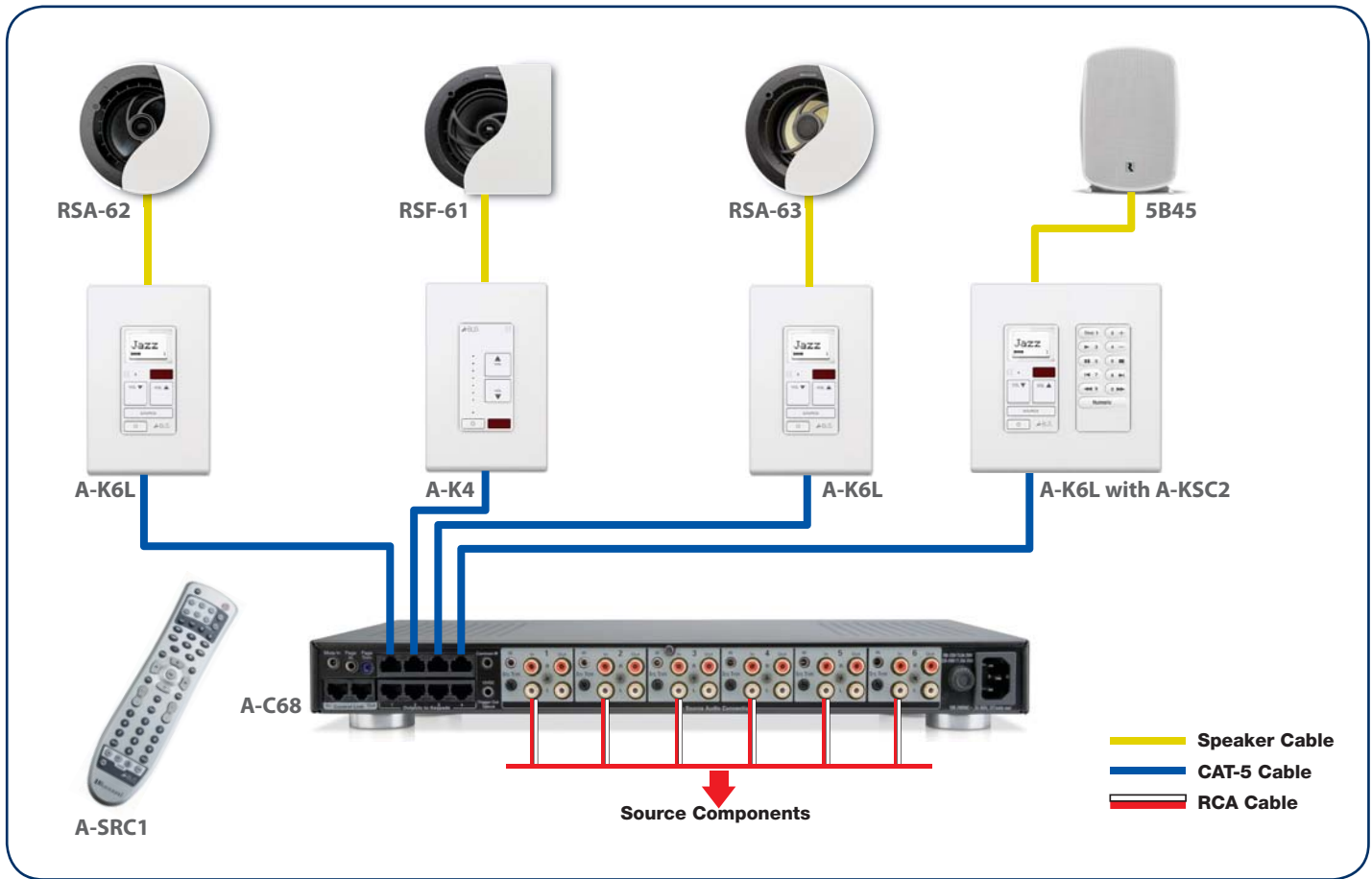
\$139.00

24 Volt DC. Features auto-sensing 110/220 voltage, detachable power cord, and compact size.

Dimensions: 6.5" W x 2.75" H x 3.75" D (165.5 x 70 x 95.5 mm)

Shipping Weight: 1.25 lbs

2000-113833 A-PS





be resourceful

Digital music, Internet radio and iTunes are all available through Russound's Smart Sources. Our Digital Media Streamer and iBridge Dock both increase the accessibility to digital music available on iPods® local network devices or the internet available for listening through our multiroom audio systems.

stay connected

Russound Smart Sources deliver metadata about the song, station, artist, album, or playlist of what's being played to specific Russound keypads and touch-screens, allowing you to check out the name of the artist you liked on your favorite internet radio station or see what playlist your children are listening to.

navigate your favorites

Russound Smart Sources make it easy to select your favorite stations, albums, artists or genres from your system keypads and touch-screens. Click or scroll through your sources and select anything you want to hear wherever you want to hear it.



BSK-1 Bluetooth® Source Kit



\$375.00

The new BSK-1 C-Series Bluetooth Receiver permits Bluetooth enabled devices to stream content to C-Series systems for wireless audio. It is a remotely located Bluetooth receiver, optimized for ideal placement and range by the custom installer. For maximum flexibility it can be configured as either a system source or a local source.

The BSK-1 integrates with Russound C-Series multizone systems. System components communicate with each other via the Russound RNET protocol, and components are interconnected using standard CAT-5 cable.

Dimensions:
7.25" W x 5.5" D x 4.25" H
(184 x 140 x 108 mm)

2460-533778 BSK1



ST1 Smart Tuner

\$420.00

The ST1 is a single AM/FM tuner with RDS. Works with C-Series multiroom systems. 6 banks of 6 presets. Half rack width for side by side installation. Built-in 110-240V AC power supply. Pair rack-mount ears included.

2410-533662 ST1



BGK1 iBridge Dock Kit

\$599.00

Allows you to use an iPod as a remote source for a Russound RNET or C-Series multiroom audio-video system. Includes a Russound RNET A/V decoder, it provides either RNET or infrared (IR) control of the iPod, depending on the type of system; 30 pin connection.

Shipping Weight: 3.7 lbs

2430-526541 BGK1





Acclaim® Thin Bezel Series

A great new look to a great speaker line. Russound Acclaim Speakers sport a thin bezel with magnetic grilles.

Like all Russound speakers, they combine acoustic technology with durability and will provide years of musical enjoyment. The speaker line provides solutions for background music, dedicated music listening and home theater.

The Acclaim Thin Bezel Series combines premium acoustic materials, with our most advanced drivers to deliver exceptional performance in every application. From background music to spectacular home theater, Acclaim Thin Bezel speakers offer the finest sound around.

Russound Acclaim Thin Bezel Series speakers feature high quality drivers, sophisticated crossover networks, and advanced designs to ensure optimum reproduction in your home, no matter what the source material may be.

* See pages 24 and 25 for a complete listing of specifications

In-Ceiling, In-Wall Flat Speakers



RSF-61 6.5" 2-Way

\$125.00/pr

Shipping Weight:
8.1 lbs (3.7 kg)

3175-533945 RSF-61
Sold in pairs



RSF-62 6.5" 2-Way

\$249.00/pr

Shipping Weight:
8.2 lbs (3.7 kg)

3175-533952 RSF-62
Sold in pairs



RSF-63 6.5" 2-Way

\$375.00/pr

Shipping Weight:
9 lbs (4.1 kg)

3175-533969 RSF-63
Sold in pairs



RSF-64 6.5" 2-Way

\$499.00/pr

Shipping Weight:
10.5 lbs (4.8 kg)

3175-533976 RSF-64
Sold in pairs



RSF-61T 6.5"
Single Point Stereo

\$149.00/ea

Shipping Weight:
5.1 lbs (2.3 kg)

3175-533983 RSF-61T
Sold individually

In-Ceiling Angled Speakers



RSA-61 6.5" 2-Way

\$199.00/ea

Shipping Weight:
4.2 lbs (1.9 kg)

3175-533914 RSA-61
Sold individually



RSA-62 6.5" 2-Way

\$299.00/ea

Shipping Weight:
4.8 lbs (2.17 kg)

3175-533921 RSA-62
Sold individually



RSA-63 6.5" 2-Way

\$399.00/ea

Shipping Weight:
5.6 lbs (2.5 kg)

3175-533938 RSA-63
Sold individually

Grilles



RSG-R

\$24.99/ea

included
Shipping Weight:
0.7 lbs (0.3 kg)

3175-534287 RSG-R
Sold individually



RSG-S

\$24.99/ea

Optional
Shipping Weight:
0.7 lbs (0.3 kg)

3175-533990 RSG-S
Sold individually, separately

Acclaim Thin Bezel

Model	Type	Woofers	Woofers Material	Tweeter	Tweeter Material	Frequency Range (-6dB/+0dB)
RSF-61	2-way in-ceiling/in-wall	6.5"/165 mm	polypropylene cone	0.75"/19 mm Pivoting	PEI	50Hz-20kHz
RSF-62	2-way in-ceiling/in-wall	6.5"/165 mm	polypropylene cone	1.0"/25 mm Pivoting	silk	50Hz-20kHz
RSF-63	2-way in-ceiling/in-wall	6.5"/165 mm	IMPP ribbed cone	1.0"/25 mm Pivoting	silk	40Hz-20kHz
RSF-64	2-way in-ceiling/in-wall	6.5"/165 mm	Kevlar cone	1.0"/25 mm Pivoting	Teteron	40Hz-20kHz
RSF-61T	Single-Point Stereo in-ceiling	6.5"/165 mm	IMPP ribbed cone	2 x 0.75"/1.9 mm	silk	40Hz-20kHz
RSA-61	15° angled 2-way in-ceiling	6.5"/165 mm	polypropylene cone	1.0"/2.5 mm Pivoting	PEI	50Hz-20kHz
RSA-62	15° angled 2-way in-ceiling	6.5"/165 mm	IMPP ribbed cone	1.0"/2.5 mm Pivoting	silk	45Hz-20kHz
RSA-63	15° angled 2-way in-ceiling	6.5"/165 mm	Kevlar cone	1.0"/2.5 mm Pivoting	Teteron	40Hz-20kHz

5 Series Outdoor

Model	Type	Woofers	Woofers Material	Tweeter	Tweeter Material	Frequency Range (-6dB/+0dB)
5B45	2-way	4"/101.6 mm	IMPP cone	1.0"/25 mm	Teteron	80Hz-20kHz
5B55	2-way	5.25"/133.4 mm	IMPP cone	1.0"/25 mm	Teteron	72Hz-20kHz
5B65	2-way	6.5"/165 mm	IMPP cone	1.0"/25 mm	Teteron	64Hz-20kHz
5B65S	Single-Point Stereo	6.5"/165 mm	IMPP cone	2 x 1.0"/25 mm	Teteron	62Hz-20kHz

Grille Type	Sensitivity dB SPL (2.83V @ 1m)	Nominal Impedance	Max Amp. Power	Feature	Cutout Dimensions	Mounting Depth	Rough-in Bracket
steel magnetic	88 dB	8 ohms	80W	Flat	8.375"/212.7mm	3.49"/88.6mm	SB-C67
steel magnetic	90 dB	8 ohms	90W	Flat	8.375"/212.7mm	3.49"/88.6mm	SB-C67
steel magnetic	90 dB	8 ohms	100W	Flat	8.375"/212.7mm	3.53"/89.7mm	SB-C67
steel magnetic	90 dB	8 ohms	120W	Flat	8.375"/212.7mm	3.69"/93.7mm	SB-C67
steel magnetic	90 dB	8 ohms	120W	Flat	8.375"/212.7mm	3.69"/93.7mm	SB-C67
steel magnetic	90 dB	8 ohms	80W	15° angled	8.375"/212.7mm	4.28"/108.7mm	SB-C67
steel magnetic	90 dB	8 ohms	100W	15° angled	8.375"/212.7mm	4.40"/111.8mm	SB-C67
steel magnetic	90 dB	8 ohms	120W	15° angled	8.375"/212.7mm	4.56"/115.8mm	SB-C67

Grille Type	Sensitivity dB SPL (2.83V @ 1m)	Nominal Impedance	Max Amp. Power	Surface mount	Pole Mount	Bookshelf Stand
Aluminum	88 dB	8 ohm	100W	Yes	Yes	Yes
Aluminum	90 dB	8 ohm	125W	Yes	Yes	Yes
Aluminum	91 dB	8 ohm	150W	Yes	Yes	Yes
Aluminum	91 dB	8 ohm	150W	Yes	Yes	No

Acclaim® 5 Series OutBack Rocks

At home in the outdoors, Russound's OutBack Rock Speakers are perfect for patios, pools, porches, decks, and backyards. Relax in a lawn chair or tend your garden while enjoying your favorite tunes in the fresh air.

Carefully designed to resemble natural rock, OutBack Rock Speakers blend into your lawn or garden surroundings. Available in granite, weathered granite, or sandstone, each speaker's durable waterproof enclosure is environmentally tested and optimized for superior outdoor audio performance.

8" OutBack Rock Speakers

5R82 2-Way Rock Speakers

\$310.00

Shipping Weight 11 lbs (4.95 kg)

3165-533464 5R82-G Gray Granite
3165-533471 5R82-S Sandstone
3165-533600 5R82-W Weathered Granite

Sold individually

5R82S Single-Point-Stereo

\$340.00

Shipping Weight 11.2 lbs (5.04 kg)

3165-533495 5R82S-G Gray Granite
3165-533501 5R82S-S Sandstone
3165-533617 5R82S-W Weathered Granite

Sold individually



Acclaim® 5 Series OutBack Outdoors

The Acclaim 5 Series OutBack loudspeakers are designed to deliver rich, full sound in extreme environments, such as a backyard, patio, deck, or other areas subjected to temperature shifts and high moisture exposure. Their high-efficiency design and multiple mounting options allow these speakers to be easily installed on a wall, eave, pole, corner or as a freestanding stereo pair.

Mounting options include bookshelf foot, pole, flat or corner surface. Bookshelf foot included.



5B45 4" 2-Way

\$199.99

Shipping Weight: 10.5 lbs. (4.8 kg)

3165-532832 White 5B45
3165-532870 Black 5B45

Sold in pairs



5B55 5.25" 2-Way

\$259.99

Shipping Weight: 14.8 lbs. (6.7 kg)

3165-532849 White 5B55
3165-532887 Black 5B55

Sold in pairs



5B65 6.5" 2-Way

\$349.99

Shipping Weight: 19.4 lbs (8.8 kg)

3165-532856 White 5B65
3165-532894 Black 5B65

Sold in pairs



5B65S 6.5" Single Point

\$249.99

Shipping Weight: 10.4 lbs (4.7 kg)

3165-532863 White 5B65S
3165-532900 Black 5B65S

Sold individually

Rough-In Speaker Brackets



In-Ceiling

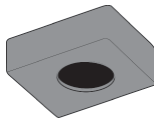
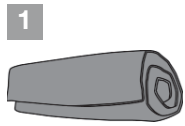
- 6" 3901-530722 SB-C67 **\$30.00**
- 6" 3901-531811 SB-C67-6P 6 Pack **\$150.00**
- 8" 3901-530739 SB-C80 **\$30.00**
- 8" 3901-531828 SB-C80-6P 6 Pack **\$150.00**

In-Wall

- 6.5" 3901-530746 SB-W60 **\$30.00**
- 6.5" 3901-531835 SB-W60-6P 6 Pack **\$150.00**
- 3901-530760 SB-W80 **\$30.00**
- 3901-531859 SB-W80-6P 6 Pack **\$150.00**

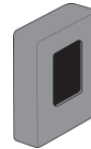
Flexbox Back Boxes

Flexbox speaker back boxes reduce background noise, provide a moisture barrier, diffuse distortion and improve sound quality. The flexible construction allows for easy installation in retrofit or new construction settings. Both models are flame retardant and meet ASTM E119 and UL 263/ NFPA 251 (1-hour) and ASTM E84/NFPA 70 standards.



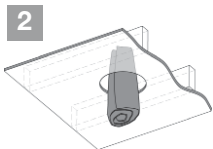
FBC1-FR In-Ceiling

\$199.00



FBW1-FR In-Wall

\$199.00



- 1" (25 mm) nominal thickness, proprietary composite
- STC Rating: 32, Flame Spread: 23
- Smoke Density: 30 (ASTM E84/ NFPA 70)
- Thermal Value: R 4.2
- -40° F to 350° F (-40° C to 177° C)
- Fire Rating: CLASS 1 Fire Rated ASTM E119 /NFPA 251 and UL 263 for 1 Hour Fire Rating

Sold individually

Dimensions: 14" W x 6" D x 17.5" H (355 x 152 x 445 mm)

Weight: 6.7 lbs (3 kg)

3801-531286 FBC1-FR

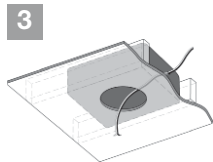
- 1" (25 mm) nominal thickness, proprietary composite
- STC Rating: 32, Flame Spread: 23
- Smoke Density: 30 (ASTM E84/ NFPA 70)
- Thermal Value: R 4.2
- -40° F to 350° F (-40° C to 177° C)
- Fire Rating: CLASS 1 Fire Rated ASTM E119 /NFPA 251 and UL 263 for 1 Hour Fire Rating

Sold individually

Dimensions: 14" W x 3.65" D x 16.5" H (368 x 89 x 406 mm)

Weight: 5.4 lb (2.4 kg)

3801-531262 FBW1-FR





power for your music

Audio amplifiers are the muscle behind every home music system. Russound puts great pride and effort into building stereo and multizone amplifiers that supply years of problem-free service.

Russound engineers embarked on designing our amplifiers to meet the demands of multizone audio systems: seamless integration, bulletproof reliability and astonishing fidelity. Built to complement an extensive array of audio systems, these versatile products deliver outstanding performance under the most demanding conditions.

R-Series power amplifiers

The R-Series amplifiers feature an elegantly understated industrial design. Their standard-width, modular-height designs look great in system shelving or built-in units, with rack mount conversion hardware for seamless rack integration.

Russound's R-Series amplifiers employ a robust circuit design for stability under demanding loads. All models feature auto signal-sensing inputs and bridgeable channel pairs for increased power output and flexibility of application. All amplifier channels feature independent gain controls for precise level matching and dual speaker outputs for convenience.



X-Series power amplifiers

The X-Series amplifiers are dual-source capable and are built to support installations using multiple speakers and volume controls. They are also well-suited for two-channel applications where higher power is needed, such as outdoor zones or large open interior spaces.

Russound's X-Series line of two-channel stereo amplifiers delivers performance and features in a flexible package. Featuring signal-sensing inputs, front mounted volume and balance controls, bridgeable outputs, and A/B speaker switching, the X-Series makes dual source amplification easy and affordable.

Signal sensing inputs allow the X-Series amplifiers to easily integrate with multizone audio systems and home theater components, or wherever local source amplification is being added to an existing system. In addition to front mounted volume knobs, all X-Series models can be used with impedance matching volume controls to power multiple pairs of speakers, or numerous zones.



R-Series Audio Amplifiers



D250LS 2-Channel Digital Amplifier

\$450.00

Auto-sensing enables localized speaker override for a connected peripheral, such as a TV or PC. The bridgeable power setting combines channel power for 125W into a single 8-ohm load, rated 50W/channel RMS at 8 ohms. 1U 1/2 rack chassis has three mounting options.

Dimensions: 8.5" W x 10.5" D x 1.75" H
(215.9 x 266.7 x 44.5 mm)

Shipping Weight: 10 lbs (4.5 kg)

2800-533280 D250LS



R290DS 2-Channel Dual Source Amplifier

\$499.00

90W amplifier with auto-source switching. Primary and secondary audio inputs, loop output, selectable speaker level input, and 12V trigger input and output. Rated at 90W/channel into 8 ohms, 110W into 4 ohms, and bridgeable to 250W of power into a single 8 ohm load. Rack ears included.

Dimensions: 17" W x 14" D x 4.125" H
(430 x 355 x 105 mm)

Shipping Weight: 24.30 lbs (11.02 kg)

2800-530463 R290DS



R850MC 4 Zone/8 Channel Multiroom Amplifier

\$1,099.00

Protection circuitry provides safety and reliability under heavy use. Amplifies up to four stereo line-level sources. Zones have dedicated line level inputs or can share a source via the bus input. Separate gain controls for each zone to preset room sound levels. Zone output can be switched to stereo or bridge mono output. In bridged mode, a zone's left and right channels are combined for a higher-power mono output, ideal for large rooms or outdoor listening areas. Rack ears included. 50W/channel RMS at 8 ohms or 75W/channel RMS at 4 ohms x 8. Each zone can be bridged providing 150W at 8 ohms.

Dimensions: 17" W x 16.5" D x 5.875" H (430 x 420 x 150 mm)

Shipping Weight 51 lbs (23 kg)

2800-521904 R850MC



R1250MC 6 Zone/12 Channel Multiroom Amplifier

\$1,499.00

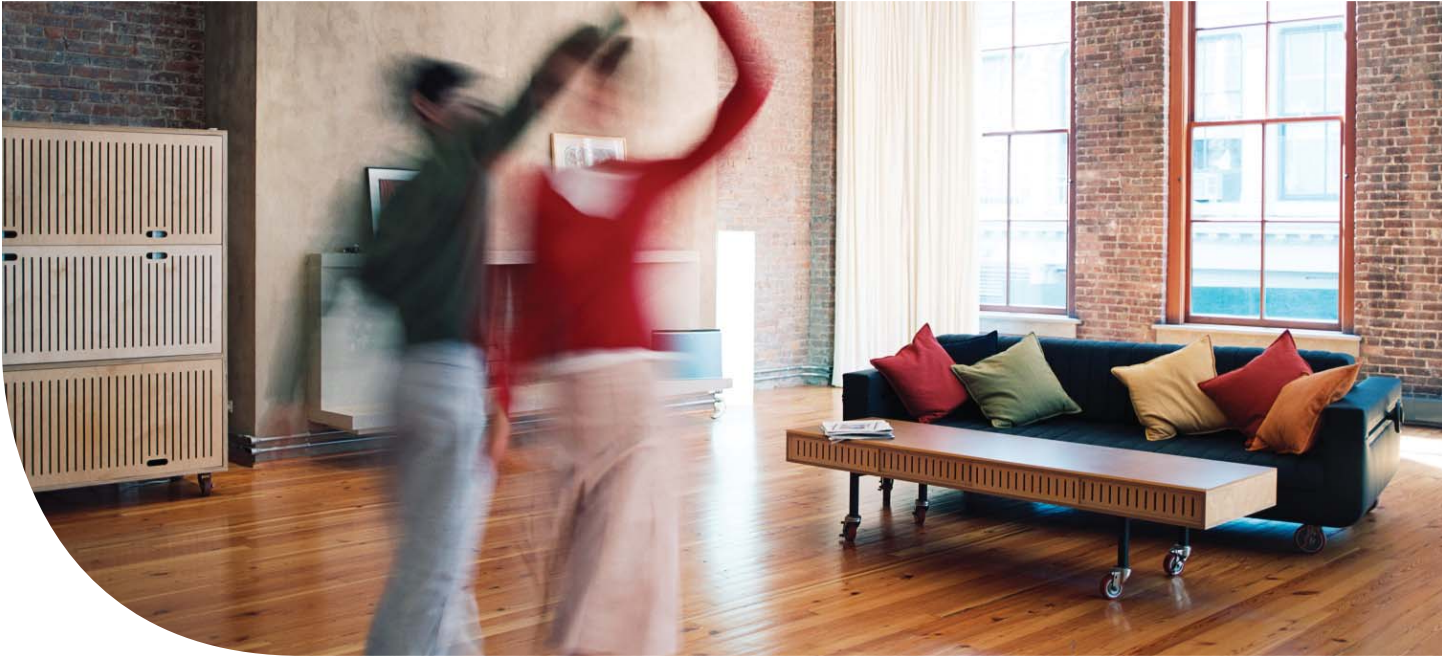
Zones have dedicated line level inputs or can share a source via the bus input. Separate gain controls for each zone to preset room sound levels. Zone output can be switched to stereo or bridge mono output. In bridged mode, a zone's left and right channels are combined for a higher-power mono output, ideal for large rooms or outdoor listening areas. Rack ears included. 50W/channel RMS at 8 ohms or 75W/channel RMS at 4 ohms x 12. Each zone can be bridged providing 150W at 8 ohms.

Dimensions: 17" W x 16.5" D x 5.875" H (430 x 420 x 150 mm)

Shipping Weight 61.25 lbs (27.8 kg)

2800-521881 R1250MC

X-Series Audio Amplifiers



Two-channel stereo amplifiers featuring non-rack design, signal-sensing inputs, front mounted volume and balance controls, bridgeable outputs, and A/B speaker switching, front mounted volume, balance and A/B speaker controls. 110v ONLY.



X75 2-Channel Dual Source Amplifier

\$199.00

Features dual line level inputs, speaker level input, a signal line level output, and 75W/channel at 4 ohms, 60W/channel at 8 ohms and is bridgeable to 160W at 8 ohms.

Dimensions: 16.5" W x 8" D x 2.5" H
(41.9 x 20.3 x 6.4 cm)

Shipping Weight: 11.5 lbs (5.22 kg)

2800-533020 X75



X125 2-Channel Dual Source Amplifier

\$649.00

Dual line level inputs, speaker level input, line level outputs, 12V triggers, adjustable signal delay time, and rear gain adjustments for each channel. Delivers 125W/channel at 4 ohms, 80 W/channel at 8 ohms and is bridgeable to 250W at 8 ohms.

Dimensions: 16.5" W x 13.75" D x 3.5" H
(41.9 x 34.9 x 8.9 cm)

Shipping Weight: 31.4 lbs (14.24 kg)

2800-533037 X125

Russound wrote the book on impedance-matching volume controls and is widely regarded as the industry leader in auto-former technology. All Russound volume controls feature a superior auto-former design with impedance matching to provide excellent frequency response and maximum power transfer. With our volume controls, you get the highest possible performance, reliability and longevity.

126W Volume Controls

ALTx-2 & ALTx-2D

\$59.00

Volume control plate and knob. Detachable 12 gauge connector. Provides 1x, 2x, 4x, 8x impedance matching. ALTx-2D includes Decora® insert.

Shipping Weight: 2 lbs (0.9kg)

6100-534171 ALTx-2 White, Light Almond & Almond
 6100-534188 ALTx-2 Light Almond
 6100-116377 ALTx-2 Black
 6100-113666 ALTx-2 Brown

6100-534195 ALTx-2D White, Light Almond & Almond
 6100-534201 ALTx-2D Light Almond
 6100-114748 ALTx-2D Black
 6100-114250 ALTx-2D Brown



ALTx-WIRi 2D

\$159.00

Volume Control with built-in IR receiver. Includes Decora insert, knob, and cover plate. 12 position switch. Accepts up to 14 gauge wire. Provides 1x, 2x, 4x, 8x impedance matching.

Shipping Weight: 1 lb (0.5kg)

6100-117084 White
 6100-117091 Almond
 6100-117107 Bone
 6100-117954 Black
 6100-117961 Brown



WALTx-2

\$135.00

Weatherproof volume control with standard gray plate and knob. 12 position switch. Provides 1x, 2x, 4x, 8x impedance matching. Fits a standard 3/4" PVC outdoor conduit.

Shipping Weight: 1.75 lbs (0.79 kg)

6500-114113 WALTx-2



ALTx-MP-1 & ALTx-MP-2 Master Packs

\$1,799.00

ALTx-MP-1: 30 ALTx-2D volume controls
 ALTx-MP-2: 30 ALTx-2 volume controls

Shipping Weight: 37 lbs (16.7 kg)

6100-534836 ALTx-MP-1 White, Almond & Light Almond
 6100-116476 ALTx-MP-1 Black
 6100-116483 ALTx-MP-1 Brown

6100-534829 ALTx-MP-2 White, Almond & Light Almond
 6100-116520 ALTx-MP-2 Black
 6100-116537 ALTx-MP-2 Brown

Color Conversion Components

SP-6

\$19.00

Contains 6 plastic plates for ALTx and LPTx models.

Shipping Weight: 1 lb (0.5 kg)

9510-115110 White
 9510-115080 Almond
 9510-115097 Bone
 9510-115073 Black
 9510-115103 Brown



DP-6

\$19.00

For use with ALTx, LPTx, and A70-1M models. Contains 6 Decora insert plates for ALTx Models.

Shipping Weight: 1 lb (0.5 kg)

9510-115165 White
 9510-115127 Almond
 9510-115660 Bone
 9510-115134 Black
 9510-115158 Brown



DP-WIR

\$79.00

IR Conversion kit with IR receiver and Decora. For use with ALTx, LPTx, and A70-1M models.

Shipping Weight: 1 lb (0.5 kg)

5100-115820 White
 5100-115806 Almond
 5100-115813 Bone
 5100-118807 Black
 5100-118791 Brown



VCK-6

\$19.00

Contains 6 plastic volume control knobs. Fits ALTx and LPTx models.

Shipping Weight: 1 lb (0.5 kg)

9510-115219 White
 9510-115172 Almond
 9510-115196 Bone
 9510-115189 Black
 9510-115202 Brown



TBL-75 Table Top Volume Control

\$119.00

126 watt volume control with headphone jack speaker override. Installer configurable from 1x, 2x, 4x or 8x impedance matching.

Shipping Weight: 2.5 lbs (1.1 kg)

6400-113161 TBL-75



EZB-1SC

Modular Speaker Connecting Base Unit

\$59.00

Includes 4 speaker outputs and 1 amplifier input. Color-coded detachable 14-gauge snap connectors to support 4 zones.

Shipping Weight 6 oz (0.2 kg)

8100-120961 EZB-1SC



EZB-2SC

Modular Speaker Block Add-on

\$49.00

Adds 4 speaker outputs to EZB-1SC to expand to 8 zones.

Shipping Weight 6 oz (0.2 kg)

8100-120978 EZB-2SC



Speaker Selectors

Speaker selectors are an efficient, cost-effective means of expanding the audio system in your home or office. From four to twelve rooms, with or without volume controls, multiple A/B amplifier inputs to automatic A/B switching devices, Russound speaker selectors can be used to accommodate a number of applications from the simple to sophisticated.

Single Source Selectors



SS-4.2 4 Pair

\$119.00

100W/channel RMS, zone labels. 4 Ω stable amplifiers & receivers. Resettable circuit protection. Impedance bypass switch for use with impedance matching volume controls.

Dimensions:
8.5" W x 1.875" H x 6.25" D
(220 x 48 x 160 mm)

Shipping Weight: 2.75 lbs
(1.2 kg)

3630-520679 SS-4.2



SS-6.2 6 Pair

\$159.00

70W/channel RMS, zone labels. 4 Ω stable amplifiers & receivers. Resettable circuit protection. Impedance bypass switch for use with impedance matching volume controls.

Dimensions:
11.5" W x 1.875" H x 6.25" D
(295 x 48 x 160 mm)

Shipping Weight: 3.5 lbs (1.6 kg)

3630-520686 SS-6.2

Autoformer-Based Selectors with Volume Control



SDB-2.1 2 Pair

\$199.00

100W/channel RMS. Color-coded detachable 14-gauge snap connector. Standard configuration is 4x, and installer may change configuration to 2x or 8x. Zone identifying labels included.

Dimensions:
8.5" W x 3" H x 6.25" D
(220 x 80 x 160 mm)

Shipping Weight: 5.5 lbs (2.5 kg)

3615-604010 SDB-2.1



SDB-4.1 4 Pair

\$399.00

200W/channel RMS. Color-coded detachable 14-gauge snap connectors. Standard configuration is 4x, and installer may change configuration to 2x or 8x. Zone identifying labels included.

Dimensions:
17" W x 3" H x 6.25" D
(435 x 80 x 160 mm)

Shipping Weight: 2.75 lbs
(1.2 kg)

3615-604027 SDB-4.1



SDB-6.1 6 Pair

\$499.00

150W/channel RMS, zone label. 4 Ω stable amplifiers & receivers. Resettable circuit protection.

Dimensions:
17" W x 3" H x 6.25" D
(435 x 80 x 160 mm)

Shipping Weight:
11 lbs (5 kg)

3615-604034 SDB-6.1

Autoformer-Based Selectors/Impedance Matching



PRO-6 HP 6 Pair

\$319.00

100W/channel RMS with subsonic filter built in. Color-coded detachable 14-gauge snap connectors. Zone labels included.

Dimensions:
17" W x 2.875" H x 8" D (435 x 75 x 205 mm)

Shipping Weight: 9.5 lbs (4.3 kg)

3610-603075 PRO-6 HP



PRO-8 HP 8 Pair

\$349.00

100W/channel RMS with subsonic filter, built in. Color-coded detachable 14-gauge snap connectors. Zone labels included.

Dimensions:
17" W x 2.875" H x 8" D (435 x 75 x 205 mm)

Shipping Weight: 10 lbs (4.5 kg)

3610-603136 PRO-8 HP



PRO-12 HP 12 Pair

\$449.00

100W/channel RMS with subsonic filter built in. Color-coded detachable 14-gauge snap connectors. Zone labels included.

Dimensions:
17" W x 2.875" H x 8" D (435 x 75 x 205 mm)

Shipping Weight: 10 lbs (4.5kg)

3610-603037 PRO-12 HP

Miscellaneous Speaker Selectors



AB-2.2
Tabletop
Dual-Source

\$79.00

A single pair of speakers to be driven by either of two amplifiers or allow a single amplifier to drive either of two pairs of speakers.

Dimensions:
5.5" W x 2.875" H x 3" D (140 x 73.5 x 76.5 mm)

Shipping Weight: 1.25 lbs (0.57 kg)

3699-520525 AB-2.2



AB-3.2 Source Selector

\$139.00

Automatic A/B speaker selector, speaker level switching, selectable delay and sensitivity. Color-coded detachable 14-gauge snap connectors. Detachable 12v DC power supply.

Dimensions:
6.25" W x 2" H x 1.55" D (159 x 51 x 39 mm)

Shipping Weight: 1.7 lbs (0.8 kg)

3699-520914 AB-3.2



AB-1.2 Dual-Source

\$79.00

Allows a single pair of speakers to be driven by either of two amplifiers or allow a single amplifier to drive either of two pairs of speakers. Decora® wallplate not included.

Dimensions:
1" W x 2.75" H x 1.75" D (25.5 x 70 x 44.5 mm)

Shipping Weight: 3 oz (85 g)

3699-520501 White AB-1.2 3699-521294 Brown AB-1.2
3699-520532 Almond AB-1.2 3699-521317 Black AB-1.2
3699-520556 Bone AB-1.2



the music lover's intercom

A natural extension of Russound's audio systems, ComPoint is a complete intercom solution that integrates with virtually any multiroom home audio system.

ComPoint is a true intercom system, providing point-to-point (zone-to-zone) communications as well as global paging from any keypad. With ComPoint, you can enjoy the benefits of multiroom audio and the convenience of intercom communications, all easily integrated together.

Instead of producing tinny sounds from an embedded intercom speaker, ComPoint can take advantage of existing in-wall or in-ceiling speakers that are part of a multiroom audio system, so you don't have to sacrifice sound quality for home communications and security.

Additional features that make ComPoint highly desirable are selectable doorbell chimes and "do not disturb" and "listen" mode features. For added convenience, you can respond to messages hands-free with point-to-point intercom, giving you the freedom to do other things and still converse using ComPoint.



ISA4 Advanced 4 Zone Kit with Door Station

\$1,998.00

Includes 4 advanced keypads (ISK2) white, hub (ISH1), and power supply (ISPS) and antique brass finish door station (ISK3). Wall plate and speakers not included.

Shipping Weight: 6.5 lbs (2.9 kg)
2300-527029 ISA4



ISA60 Advanced 6 Zone Kit without Door Station

\$2,389.00

Includes 6 advanced keypads (ISK2) white, hub (ISH1), and power supply (ISPS). Wall plate and speakers not included.

Shipping Weight: 6.7 lbs (3 kg)
2300-526800 ISA60



ISA6 Advanced 6 Zone Kit with Door Station

\$2,629.00

Includes 6 advanced keypads (ISK2) white, hub (ISH1), power supply (ISPS) and antique brass finish door station (ISK3). Wall plate and speakers not included.

Shipping Weight: 7.6 lbs (3.4 kg)
2300-526404 ISA6



ISA62 Advanced 6 Zone Kit with 2 Door Stations

\$2,949.00

Includes 6 advanced keypads (ISK2) white, hub (ISH1), power supply (ISPS) and two antique brass finish door stations (ISK3). Wall plate and speakers not included.

Shipping Weight: 8.5 lbs (3.6 kg)
2300-526411 ISA62



ISB4 Basic 4 Zone Kit with Door Station

\$1,749.00

Includes 4 basic keypads (ISK1) white, hub (ISH1), and power supply (ISPS) and antique brass finish door station (ISK3). Wall plate and speakers not included.

Shipping Weight: 6.5 lbs (2.9 kg)

2300-526381 ISB4



ISB40 Basic 4 Zone Kit without Door Station

\$1,499.00

Includes 4 basic keypads (ISK1) white, hub (ISH1), and power supply (ISPS). Wall plate and speakers not included.

Shipping Weight: 5.7 lbs (2.6 kg)

2300-526787 ISA40



ISB6 Basic 6 Zone Kit with Door Station

\$2,299.00

Includes 6 basic keypads (ISK1) white, hub (ISH1), power supply (ISPS) and antique brass finish door station (ISK3). Wall plate and speakers not included.

Shipping Weight: 7.3 lbs (3.3 kg)

2300-526398 ISB6



ISB60 Basic 6 Zone Kit without Door Station

\$1,999.00

Includes 6 basic keypads (ISK1) white, hub (ISH1), and power supply (ISPS). Wall plate and speakers not included.

Shipping Weight: 6.5 lbs (2.9 kg)

2300-526794 ISB60



ISK1 Basic Keypad

\$260.00

Single-gang Decora® style keypad. Select zones and door stations, controls receive volume, sets "do not disturb". Internal microphone with automatic gain control. Built-in amplifier powers one or two external speakers. 110 punch-down. Installer-selectable amber or green key backlighting. Wall plate and speakers not included.

Dimensions: 1.875" W x 4" H x 2.25" D (4.8 x 10.2 x 5.7 cm)

Shipping Weight: 4.8 oz (136 g)

2300-528286 ISK1 White
2300-526305 ISK1 Almond
2300-534140 ISK1 Light Almond
2300-526299 ISK1 Bone
2300-526312 ISK1 Brown
2300-526329 ISK1 Black



ISK2 Advanced Keypad

\$330.00

Single-gang Decora style keypad. 5-character LCD display, assignable zone names and volume level. Select zones and door stations, controls receive volume, sets "do not disturb". Internal microphone with automatic gain control. Built-in amplifier powers one or two external speakers. Speaker relay to share speakers with an audio system for communications. 110 punch-down. Installer-selectable amber or green backlighting. (Required for systems with over 6 zones.) Wall plate and speakers not included.

Dimensions: 1.875" W x 4" H x 2.625" D (4.8 x 10.2 x 6.7 cm)

Shipping Weight: 5.6 oz (159 g)

2300-525384 ISK2 White
2300-526343 ISK2 Almond
2300-534157 ISK2 Light Almond
2300-526336 ISK2 Bone
2300-526350 ISK2 Brown
2300-526367 ISK2 Black



ISK3 Door Station

\$238.00

Weather-resistant call station fits a single-gang deep wall box. Solid metal cover plate mounts flush to exterior wall. Internal microphone with automatic gain control. Built-in amplifier and speaker. 110 punch-down connector for CAT-5 cable. Internal relay with screw terminals for connecting to an external doorbell. Amber backlit call key. Maximum 2 door stations per system.

Dimensions: 3" W x 5.125" H x 3" D (7.6 x 13.0 x 7.6 cm)

Shipping Weight: 9 oz (0.26 kg)

2300-525407 ISK3 Antique Brass



ISK4 Door Station

\$530.00

Weather-resistant call station fits a double-gang deep wall box. Solid metal cover plate mounts flush to exterior wall. The wide-angle, adjustable black and white low-light sensitive CCTV only camera (NTSC only). Internal microphone with automatic gain control. Built-in amplifier and speaker. 110 punch-down connector for CAT-5 cable. Internal relay with screw terminals for connecting to an external doorbell. Amber backlit call key. Maximum 2 door stations per system.

Shipping Weight: 9 oz (0.26 kg)

2300-528880 ISK4 Antique Brass



ISSP ComPoint Speaker

\$40.00

Single-gang Decora-style in-wall speaker. Installs beside a ComPoint keypad in double-gang wall box. Allows ComPoint to be used as a stand-alone system. High-quality driver in the ISSP is ideally matched to the keypad amplifier. Moisture-resistant design is suitable for bathrooms and kitchens. Wall plate not included.

Dimensions: 3" W x 5.125" H x 3" D (76 x 130 x 76 mm)

Shipping Weight: 8 oz (227 g)

2300-528279 ISSP



ISSP Color Conversion Kit

\$20.00

Includes 4 grilles. Wall plates and speakers not included.

Shipping Weight: 8 oz (227 g)

2300-530494 ISSP White
2300-534164 ISSP Light Almond
2300-530500 ISSP Almond
2300-528446 ISSP Bone
2300-528453 ISSP Brown
2300-528460 ISSP Black

ISH1 ComPoint Hub



\$398.00

6-zone surface- or panel-mount controller. Up to 6 hubs can link together for a total of 36 zones. Supports 2 door and provides 7 doorbell chimes, individually selectable for each door. Gain control for doorbell chime and alert tone volume. RJ-45 connectors for keypads, door stations, and hub linking. Firmware updatable. Power supply not included.

Dimensions: 6" W x 5" H x 2" D (152 x 127 x 51 mm)

Shipping Weight: 2 lbs (0.9 kg)

2300-526459 ISH1

Advanced Programming Cable



\$25.00

Advanced programming cable for ComPoint components (ISK1, ISK2, ISK3, ISH1). Female DB-9 connection (PC end) and flat device pin connection (device end)

Shipping Weight: 1 lb (0.45 kg)

2500-521065

ISPS Power Supply



\$70.00

15V DC 3.5A. Autosensing 100V-240VAC, detachable power cord, compact size.

Shipping Weight: 1lb (0.5 kg)

2300-526282 ISPS

ISDR1 Door Strike Release Module

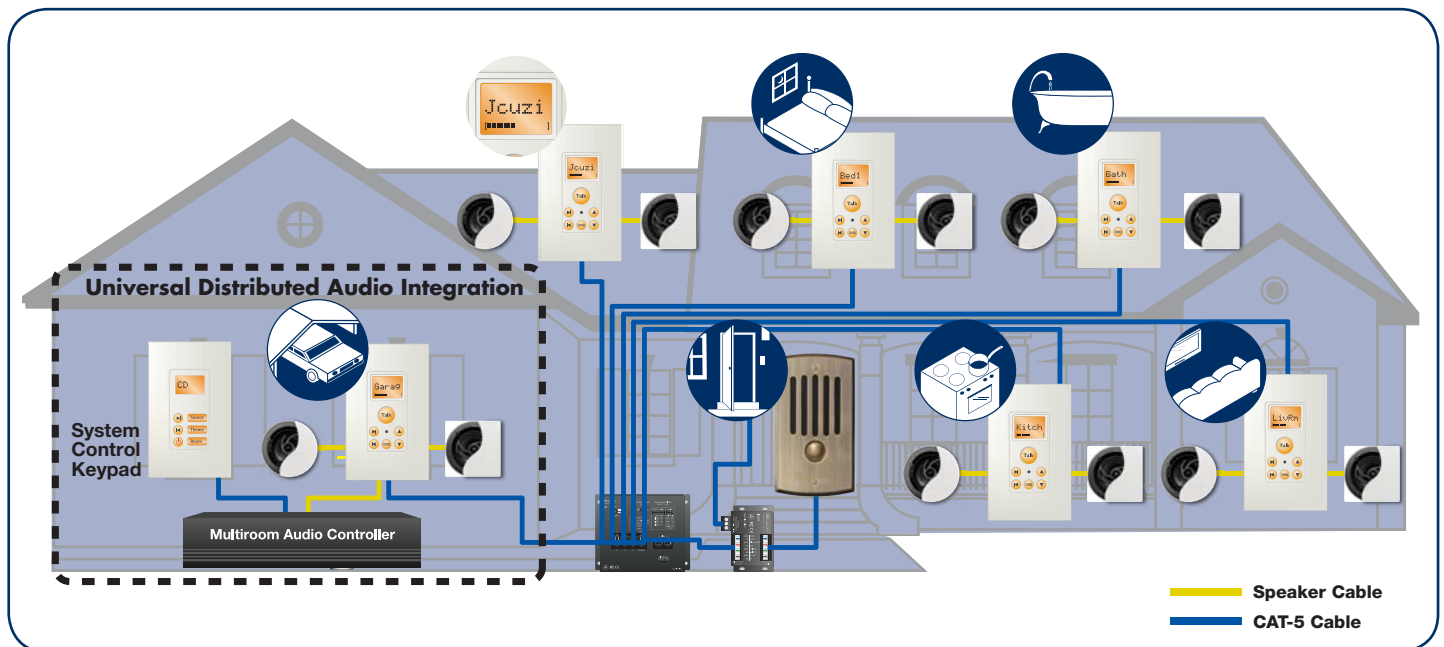


\$90.00

Surface-mount module connects in a secure location in line with the CAT-5 cable between the hub and a door station to provide relay contacts for a third-party door strike release or other device. 110 punch-down connector for CAT-5 cable. Screw terminals for access to common, NC and NO relay contacts. Relay rated for 1 A @ 12 VDC.

Shipping Weight: 9 oz (0.12 kg)

2300-525445 ISDR1



Many custom audio-video systems use infrared components to operate source equipment. Russound's SaphIR® infrared products provide a window from your handheld remote to your source equipment out of the line of sight, whether located in a different room or enclosed in cabinetry.

IRJ-1 Kit



\$138.00

Includes IR receiver (854), connection block (857), power supply (846C) and 4 IR emitters (845.1).

Shipping Weight: 1.5 lbs (0.68 kg)

5100-521508 IRJ-1

IRJ-1P Kit



\$360.00

Includes IR receiver (854P), connection block (857), power supply (846C) and 4 IR emitters (845.1).

Shipping Weight: 1.5 lbs (0.68 kg)

5100-526602 IRJ-1P

IRJ-2 Kit



\$210.00

Includes IR receiver (862), connection block (857), power supply (846C) and 4 IR emitters (845.1).

Shipping Weight: 1.5 lbs (0.68 kg)

5100-521515 IRJ-2

854 Mini-Tabletop IR Receiver

\$80.00

CFL-friendly with front panel blue talk-back indicator. 84" cable with 1/8" stereo mini-plug, 12V DC.

Shipping Weight: 3 oz (85 g)

5100-121951 854

854P Plasma-Friendly Tabletop IR Receiver

\$299.00

Shipping Weight: 3 oz (85 g)

5100-525933 854P

862 Eye

\$109.00

Flush-mount in .5" hole. CFL-friendly with blue talk-back indicator. Packaged with trim bezels in white, black and brass. 77" cable, stripped and tinned leads, and a screw terminal strip.

Shipping Weight: 2 oz (57 g)

5100-521362 862

IRJ-4 Phantom Kit



\$198.00

Includes Phantom IR receiver (860), connection block (857), power supply (846C) and 4 IR emitters (845.1).

Shipping Weight: 1 lb (0.5 kg)

5100-526626 IRJ-4

IRJ-4P Phantom Kit



\$380.00

Includes Phantom IR receiver (860P), connection block (857), power supply (846C) and 4 IR emitters (845.1).

Shipping Weight: 1 lb (0.5 kg)

5100-526633 IRJ-4P

IRJ-2P Kit



\$380.00

Includes IR receiver (862P), connection block (857), power supply (846C) and 4 IR emitters (845.1).

Shipping Weight: 1.5 lbs (0.68 kg)

5100-526619 IRJ-2P

860 Phantom

\$99.00

Small IR receiver mounts anywhere. CFL-friendly with blue talk-back indicator. 77" cable, stripped and tinned leads, and a screw terminal strip.

Shipping Weight: 2 oz (57 g)

5100-119620 860 White
5100-119637 860 Black

860P Plasma-Friendly Phantom

\$299.00

Small Plasma-friendly IR receiver mounts anywhere. CFL-friendly with blue talk-back indicator. 77" cable, stripped and tinned leads, and a screw terminal strip.

Shipping Weight: 2 oz (57 g)

5100-525957 860P Silver
5100-525940 860P Black

862P Plasma-Friendly Eye

\$299.00

Shipping Weight: 2 oz (57 g)

5100-521539 862P

845.2 LED Emitter



\$13.00

Stick-on emitter for controlling A/V equipment with highly sensitive IR receivers such as satellite receivers and cable boxes. 77" cable.

Shipping Weight: 6 oz (0.2 kg)

5100-530340: 845.2

1584.2 Dual Head LED Emitter



\$22.00

Stick-on emitter for controlling A/V equipment with highly sensitive IR receivers such as satellite receivers and cable boxes. 77" cable.

Shipping Weight: 6 oz (0.2 kg)

5100-530357 1584.2

1584.1 Dual Head Emitter Cable



\$20.00

77" cable

Shipping Weight: 6 oz (0.2 kg)

5100-113789 1584.1

845.1 Emitter Cable



\$13.00

77" cable

Shipping Weight: 6 oz (0.2 kg)

5100-114076 845.1

IRK-1 Kit



\$159.00

Includes in-wall IR receiver (858), connection block (857), power supply (846C) and 2 dual IR emitters (1584.1).
Wallplate not included.

Shipping Weight: 2 oz (57 g)

5100-116308 IRK-1 White
5100-116315 IRK-1 Almond

858 In-Wall Receiver

\$75.00

Standard single-gang wall box. CFL-friendly with green LED status indicator and blue LED talk-back indicator.

Shipping Weight: 2 oz (57 g)

5100-114458 858 White
5100-114465 858 Almond
5100-117923 858 Bone
5100-117930 858 Black
5100-117947 858 Brown

IRB-6 Wall-Mounted Connecting Block



\$59.00

Front panel has 4 output jacks for IR emitters, an input jack for a system connection and an input jack for IR system power. A terminal block at the rear of the IRB-6 accepts connections from remotely located IR receivers. Single-gang box or P-ring. Uses standard Decora cover plates. Available in white only. Wallplate not included.

Shipping Weight: 6 oz (0.2kg)

5100-113338 IRB-6

900 Receiver Extension



\$14.00

50' cable with stereo male/female 3.5mm mini connectors for extending receivers.

Shipping Weight: 4 oz (113 g)

5200-480065 900

IRB-1 Connection Terminal



\$35.00

Single jack in front panel for IR receiver connection, screw terminals in rear for in-wall IR wiring. Mounts in single-gang junction box or P-ring. Uses Decora cover plates. Wallplate and speakers not included.

Shipping Weight: 6 oz (0.2 kg)

5100-113321 IRB-1

IRK-1P Kit



\$360.00

Includes in-wall IR receiver (858P), connection block (857), power supply (846C) and 2 dual IR emitters (1584.1).
Wallplate not included.

Shipping Weight: 1.5 lbs (0.68 kg)

5100-526640 IRK-1P White
5100-526695 IRK-1P Almond

858P Plasma-Friendly In-Wall IR receiver

\$299.00

Shipping Weight: 2 oz (57 g)

5100-521478 858P White
5100-521423 858P Almond
5100-521454 858P Bone
5100-521430 858P Black
5100-521461 858P Brown

846C 12V 300mA Power Supply



\$14.00

6' cord, 2.1 mm coaxial plug, 110V AC.

Shipping Weight: 6 oz (0.2 kg)

5100-480034 846C

1201A 12V 1000mA Power Supply



\$19.00

May be used to drive up to 4 SaphIR K2 Keypads. 6' cord, 2.1 mm coaxial plug, 110V AC.

Shipping Weight: 10 oz (0.28 kg)

6300-111075 1201A

SRC2 Remote Control

\$79.00

Complete solution for all of your remote control requirements. It is designed to operate source devices and Russound audio system keypads. Controls up to eight devices.

Shipping Weight: 5 oz. (0.11 kg)

1210-524196 SRC2



IRJ-3 Kit



\$58.00

Includes connecting block (857) and power supply (846C). Choose other SaphIR components as necessary.

Shipping Weight: 1 lb (0.5kg)

5100-521522 IRJ-3



857 Connecting Block

\$40.00

IR receiver, accommodates up to 6 emitters, 12V power supply and 12V status power supply. LED indicators.

Shipping Weight: 4 oz (113 g)

5100-115455 857

DP-WIR In-Wall IR Receiver



\$79.00

Add-on for ALTx and LPTx volume controls and adds the capability to receive IR commands to an existing speaker volume control wall plate. The receiver is CFL-friendly and provides an LED indicator for system status.

Shipping Weight: 2 oz (57 g)

5100-115820 DP-WIR White
5100-115806 DP-WIR Almond
5100-115813 DP-WIR Bone
5100-118807 DP-WIR Black
5100-118791 DP-WIR Brown

Home Theater

HTP-2

\$69.00

For 5.1, 6.1, or 7.1 surround sound. 14 5-way binding posts, 2 RCA-F connectors on heavy-duty molded plate, and 2 powered subwoofers.

Shipping Weight: 8 oz (0.23 kg)

7101-524110 HTP-2



Decora Screwless Cover Plates

See page 38 for ordering information

SWP-1

1 gang.

Shipping Weight: 2 oz (0.071 kg)

Almond & White \$7.50
Black \$14.00
Stainless Steel \$24.00

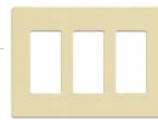


SWP-3

3 gang.

Shipping Weight: 3 oz (0.10 kg)

Almond & White \$21.25
Stainless Steel \$64.00



SWP-S21

S2 & K2 with 1 gang.

Shipping Weight: 2 oz (0.071 kg)

Almond, Black, Bone, Brown & White \$28.00



SWP-2

2 gang.

Shipping Weight: 2 oz (0.071 kg)

Almond, White & Black \$14.50
Stainless Steel \$44.00

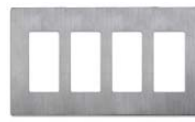


SWP-4

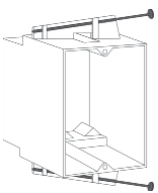
4 gang.

Shipping Weight: 3.5 oz (0.11 kg)

Almond & White \$26.25
Stainless Steel \$84.00



See page 38 for ordering information



Plastic Work Boxes for New Construction

S1-18-R Single Gang

\$1.75

Captive mounting nails. 2 Quick Click® entries.

Dimensions: 2.0625" W x 2.875" H x 3.125" D (52.4 x 73.1 x 79.4 mm)

Shipping Weight: 4 oz (0.1 kg)

S2-35-RAC Double Gang

\$3.30

4 Quick Click entries.

Dimensions: 3.8125" W x 2.9375" H x 3.0625" D (96.9 x 74.7 x 77.8 mm)

Shipping Weight: 5 oz (0.1 kg)

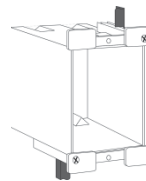
S3-54-RAC Triple Gang

\$4.50

Captive mounting nails. 6 Quick Click entries.

Dimensions: 3.8125" W x 2.9375" H x 3.0625" D (96.9 x 74.7 x 77.8 mm)

Shipping Weight: 5 oz (0.1 kg)



Plastic Work Boxes for Retrofit

S1-18-W Single Gang

\$3.30

2 Auto Clamps®. 2 Quick Click entries.

Dimensions: 2.0625" W x 2.875" H x 3.125" D (52.4 x 73.1 x 79.4 mm)

Shipping Weight: 4 oz (0.1 kg)

S2-32-W Double Gang

\$3.95

4 Auto Clamps. 4 Quick Click entries.

Dimensions: 3.875" W x 2.9375" H x 3.125" D (98.5 x 74.7 x 79.4 cm)

Shipping Weight: 5 oz (0.1 kg)

P-Rings for Retrofit

CADMP1P Single Gang

\$2.50

Dimensions: 2.5" W x 4.25" H x 1.5" D (63.5 x 108 x 38.1 mm)

Shipping Weight: 1 oz (0.05 kg)

CADMP34P 3/4 Gang

\$12.50

Dimensions: 7.875" W x 4.25" H x 1.5" D (201 x 108 x 38.1 mm)

Shipping Weight: 1 oz (0.05 kg)

CADMPAL2 Double Gang

\$5.25

Dimensions: 4.25" W x 4.25" H x 1.5" D (108 x 108 x 38.1 mm)

Shipping Weight: 1 oz (0.05 kg)

UL Classified and ICBO Recognized. Quick Click® and Auto Clamp® are registered trademarks of the Pass and Seymour/ Legrand Corporation. Note: All Work Boxes must be purchased in 10 piece lots.

Outdoor Thermoplastic Covers

See page 38 for ordering information



WPB 37-23 Vertical, Single Gang

\$19.00

Self-closing cover with 3/8" gasket and 2 mounting screws. Mounts to single-gang box (not included).

Dimensions: 3.0625" W x 4.8125" H x 1.1875" D (77.8 x 122.4 x 30.2 mm)

Shipping Weight: 9 oz (0.3 kg)

WPB 37-03 Horizontal, Single Gang

\$19.00

Horizontal self-closing cover with 3/32" gasket and 2 mounting screws. Mounts to single-gang box.

Dimensions: 4.9375" W x 2.875" H x 1.6875" D (125.5 x 73.1 x 42.9 mm)

Shipping Weight: 9 oz (0.3 kg)



E9U2CRN Clear, Double Gang

\$60.00

Surface mount grey weatherproof outdoor cover. Workbox not included.

Dimensions: 7.875" W x 4.25" H x 1.5" D (201 x 108 x 38.1 mm)

WPB 37-23FS Vertical, Single Gang

\$19.00

Self-closing cover with 3/8" gasket and 2 mounting screws. Mounts to flat surface with 4 screws.

Dimensions: 3.0625" W x 4.8125" H x 1.1875" D (77.8 x 122.3 x 30.2 mm)

Shipping Weight: 9 oz (0.3 kg)

WPB 37-03FS Horizontal, Single Gang

\$19.00

Horizontal self-closing cover with 3/32" gasket. Mounts to flat surface with 4 screws.

Dimensions: 4.9375" W x 2.875" H x 1.75" D (125.5 x 73.1 x 44.5 mm)

Shipping Weight: 9 oz (0.3 kg)



E9U2GRN Grey, Double Gang

\$60.00

Double gang, surface mount grey weatherproof outdoor cover. Workbox not included.

System Accessories



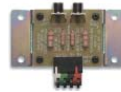
ACT-1 Single Gang, 18 Cubic Inches

\$89.00

120V AC/12V DC triggered outlet with resettable circuit breaker. Switches up to 10 amps.

Dimensions: 3.75" W x 2" H x 5" D (9.5 x 5.1 x 12.7 cm)

Shipping Weight: 1 lb (0.45 kg)



ADP-1.2 Speaker to Line-Level Adapter

\$39.00

Recommended for use with CAA66 and CAM6.6 to obtain line level outputs for zones without pre-amp outputs. Color-coded detachable 14-gauge snap connectors. Not for use with digital amplifiers.

Dimensions: 3.375" W x 1" H x 2.5" D (8.6 x 2.6 x 6.4 cm)

Shipping Weight: 14 oz (0.4 kg)



SC4P Snap Connectors

\$15.00

Includes 4 snap connectors.

Shipping Weight: 1 lbs (.5 kg)

Data Cable and Speaker Cable - call for pricing



AW164C5
Four Pair Twisted, 24 Gauge, CAT-5E Cable

Solid copper, PVC jacket, telephone/data grade/ISDN. Zipcord with 4 conductor, 16 gauge speaker cable. 500' spool. PINK jacket.



AWCAT5 Eight Conductor, 24 Gauge CAT-5E Cable

4 pair twisted, solid copper, PVC jacket, telephone/data grade/ISDN, GRAY jacket. 1,000' pull-box only.



AW162CL3
2 Conductor, 16-Gauge

Single gang with two Auto Clamps. Two Quick Click entries for each end.

Unshielded, 26/30 strands bare copper, .024 nominal PVC jacket, temp. rating 75° C, UL type CL3, Light Blue Jacket. 1,000' pull-box only.



AW164CL3 Four Conductor, 16 Gauge Speaker Cable

Unshielded, 26/30 strands bare copper, .024 nominal PVC jacket, temp. rating 75° C, UL Type CL3, Yellow Jacket. 500' pull-box only.

Home Theater Plates		
Decora-Style Screwless Cover Plates		
SWP-1	7106-114267 Almond	1 gang
	7106-115615 White	
	7106-526992 Black	
	7106-526480 Stainless Steel	
SWP-2	7106-114281 Almond	2 gang
	7106-114274 White	
	7106-531040 Black	
	7106-526497 Stainless Steel	
SWP-3	7106-115431 Almond	3 gang
	7106-115301 White	
	7106-526503 Stainless Steel	
SWP-4	7106-115448 Almond	4 gang
	7106-115677 White	
	7106-526503 Stainless Steel	
SWP-S21	7106-528439 Almond	MDK-C6 & K2 with 1 gang
	7106-528491 Black	
	7106-528477 Bone	
	7106-528484 Brown	
	7106-526831 White	
Plastic Work Boxes for New Construction		
S1-18-R	7200-450075	1 gang J-Box with Nails
S1-22-R	7200-114694	1 gang J-Box with Nails
S2-35-RAC	7200-450082	2 gang J-Box with Nails
S3-54-RAC	7200-450099	3 gang J-Box with Nails
Plastic Work Boxes for Retrofit		
S1-18-W	7200-450051	1 gang J-Box with Clamps
S2-32-W	7200-450068	2 gang J-Box with Clamps
P-Rings for Retrofit		
CADMP1P	7200-119576	1 gang
CADMPAL2	7200-119583	2 gang
CADMP34P	7200-119590	3 gang
Outdoor Thermoplastic Covers		
WPB 37-23	9000-450020	1 gang, vertical
WPB 37-23FS	9000-450037	1 gang, flat surface, vertical
WPB 37-03	9000-450006	1 gang, horizontal
WPB 37-03FS	9000-450013	1 gang, flat surface, horizontal
E9U2CRN	7200-521157	2 gang, clear cover box
E9U2GRN	7200-521164	2 gang, gray cover box
System Accessories		
ACT-1	9500-115592	12V Triggered Outlet
ADP-1.2	9500-200891	Speaker-to-Line Level Adapter
SRM- 2.1	1200-115585 White	Speaker Relay Module
	1200-114021 Almond	
SC4P	9520-53177	4 Snap Connectors
Data & Speaker Cable		
AW162CL3	9000-119316	1000' (304 m) Box, Light Blue
AW164C5	9000-121838	500' (152 m)
AW164CL3	9000-460067	500' (152 m) Box, Yellow
AWCAT5	9000-119323	1000' (304 m) Box, Gray 8C/24G



Answers and Solutions

We promise to do our utmost to satisfy your needs on the first contact or with a return response that very day. We make it our priority to answer your question and resolve issues in a prompt and courteous manner.

Inventory

We offer a complete product line and maintain a deep inventory of items.

Same Day Shipping

Orders placed by 2:00 PM EST will be shipped that day. The shipping status with tracking number will be confirmed to you via e-mail that same day. **(International shipments do not apply)**

Knowledge

Knowledgeable sales personnel that are fast, fun and friendly to work with. The best technical support in the business from 8:30 AM to 7:00 PM EST, Monday through Friday.

Education

Dedicated professional regional trainers and comprehensive educational programs. Visit our online training at: www.russound.com/education

e-friendly

Email us or visit our website for up-to-date sales and technical information 24/7. www.russound.com | tech@russound.com

Product Integrity

Russound backs all of its products with quality and a no nonsense warranty. We'll do whatever it takes to make a situation right. For extra peace of mind, Russound obtains all applicable safety approvals for our products, even when they're not required.

Courtesy

We treat everyone with courtesy, dignity and respect. And that means everyone. Our primary goal is to establish a long-lasting, mutually beneficial relationship.

Warranty

RUSSOUND'S NEW VOLUME CONTROL WARRANTY

Hassle-Free Gold Guarantee

Three Reasons to Purchase Russound Volume Controls

EASY INSTALLATION

ALTx volume controls are now available with snap connection for faster, easier installation as well as more reliable connections.

BULLETPROOF

The ALTx line of Volume Controls has a high power handling capability of 126W for superior performance, added reliability and durability.

HASSLE-FREE GOLD GUARANTEE

Russound is so confident in the performance and reliability of its ALTx Volume Controls that if one should fail for any reason, we'll send you a replacement free of charge (no return necessary). Simply contact Russound customer support with your shipping address and we will promptly send a free replacement to you.

Proof of purchase may be required

PRODUCT CATEGORY WARRANTY

ONE YEAR LIMITED WARRANTY: RNET TOUCHPOINT (TCH1), X-SERIES AMPLIFIERS

TWO YEAR LIMITED WARRANTY: CONTROLLERS, KEYPADS, TOUCHSCREENS, SOURCE EQUIPMENT, COLLAGE, A-BUS SYSTEM, COMPOINT INTERCOM SYSTEM, R-SERIES AMPLIFIERS, VIDEO DISTRIBUTION, INFRARED PRODUCTS, ACCESSORIES.

FIVE YEAR LIMITED WARRANTY: OUTBACK, AND OUTBACK ROCK SPEAKERS

TEN YEAR LIMITED WARRANTY: SPEAKER SELECTORS AND IMPEDANCE MATCHING DEVICES

LIMITED LIFETIME WARRANTY: VOLUME CONTROLS, ACCLAIM 5 AND 7 SERIES SPEAKERS, FLEXBOX SPEAKER BACK BOXES

RETURNS AND WARRANTY POLICY

Russound sells products only through authorized Dealers and Distributors to ensure that customers obtain proper support and service. Any Russound product purchased from an unauthorized dealer or other source, including retailers, mail order sellers and online sellers will not be honored or serviced under existing Russound warranty policy. Any sale of products by an unauthorized source or other manner not authorized by Russound shall void the warranty on the applicable product.

Returns must be authorized and be accompanied with an R.A. number and a copy of the proof of purchase.

A 15% restocking charge may apply. Any returns for repair found to be non-defective may result in a fifty dollar minimum charge. Any product returned without a Return Authorization Number will be returned at dealer expense.

For further warranty information, see Russound product manuals. Prices and specifications subject to change without notice. Russound is not responsible for typographical errors. E. & o. E. Decora® is a registered trademark of Leviton Corporation. A-BUS® is a registered trademark of LeisureTech Pty Ltd Australia. iPod®, iTunes® and iPad® are trademarks of Apple, Inc., registered in the U.S. and other countries.



Compliance and Certification

Russound products that carry these logos meet standards and are compliant to safety and emissions regulations mandated by these agencies. Declarations of conformity are available upon request.



CONFORMS TO US STD 60065-6-2003



Visit our Reseller Portal at:
www.russound.com/portal

Place and track orders, access
transaction history, and view
up-to-date business and technical
information 24/7

Russound

5 Forbes Road
Newmarket, NH 03857 USA

Telephone: 603.659.5170
Fax: 603.659.5388
Contact: sales@russound.com

PRODUCT CATALOG FALL 2013

© 2013 Russound Corp. All Rights Reserved.
All other trademarks are the property of their respective owners.
Products, prices and specifications subject to change without notice.

