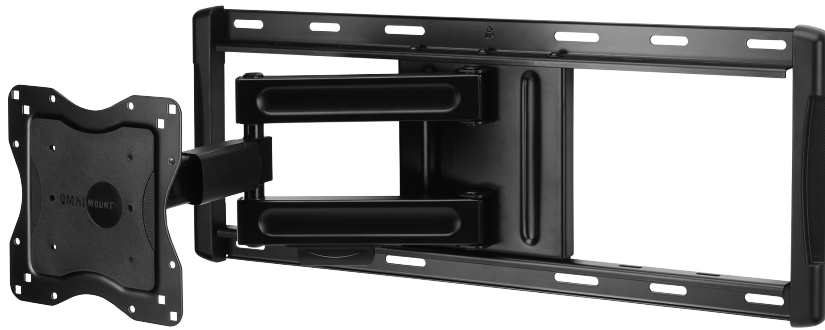


NC125C product information sheet



With enhanced functionality and a streamlined design, the NC125C is a reliable full motion mounting solution for large TVs. The New Classics Series puts a fresh spin on an old favorite, providing fixed, tilt and full motion mounts with improved functionality – not to mention a new clean design.

Product Benefits

- Tilt, pan and swivel for maximum viewing flexibility
- Low-friction washers at every joint for fluid movement
- Patent-pending 4-bar tilt mechanism for effortless adjustment
- Includes universal adapter for greater VESA compatibility
- Improved Lift n' Lock™ allows you to easily attach your TV to the mount
- Integrated cable management guides wires
- Lateral on-wall adjustment for ideal TV positioning
- Built-in screen leveling
- Open architecture provides easy access to in-wall wiring
- Safety screw secures TV to mount
- Installation template for simple and accurate mounting
- Includes complete hardware kit



The New Classics are equipped with low-friction washers at every joint, giving you the benefit of smooth and effortless movement.

800.MOUNT.IT (800.668.6848)

Product Specifications

Fits most: 37–52" TVs

Supports up to: 125 lbs (56.7 kg)

Tilt: +15° to -5°

Mounting profile: 5.0" (126mm)*

Maximum extension: 20.3" (516mm)*

Universal & VESA compliant:

100wx100h to 600wx400h

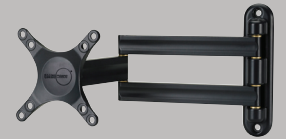
Mounting: Double-stud or solid wall

Warranty: 5 year

Color: Black

*adapter adds 0.2" (5mm)

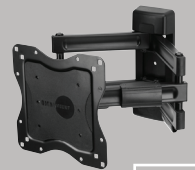
Series



NC30C



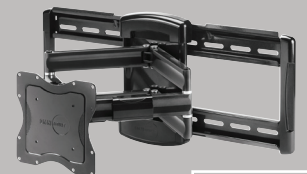
NC80C



NC100C



NC125C

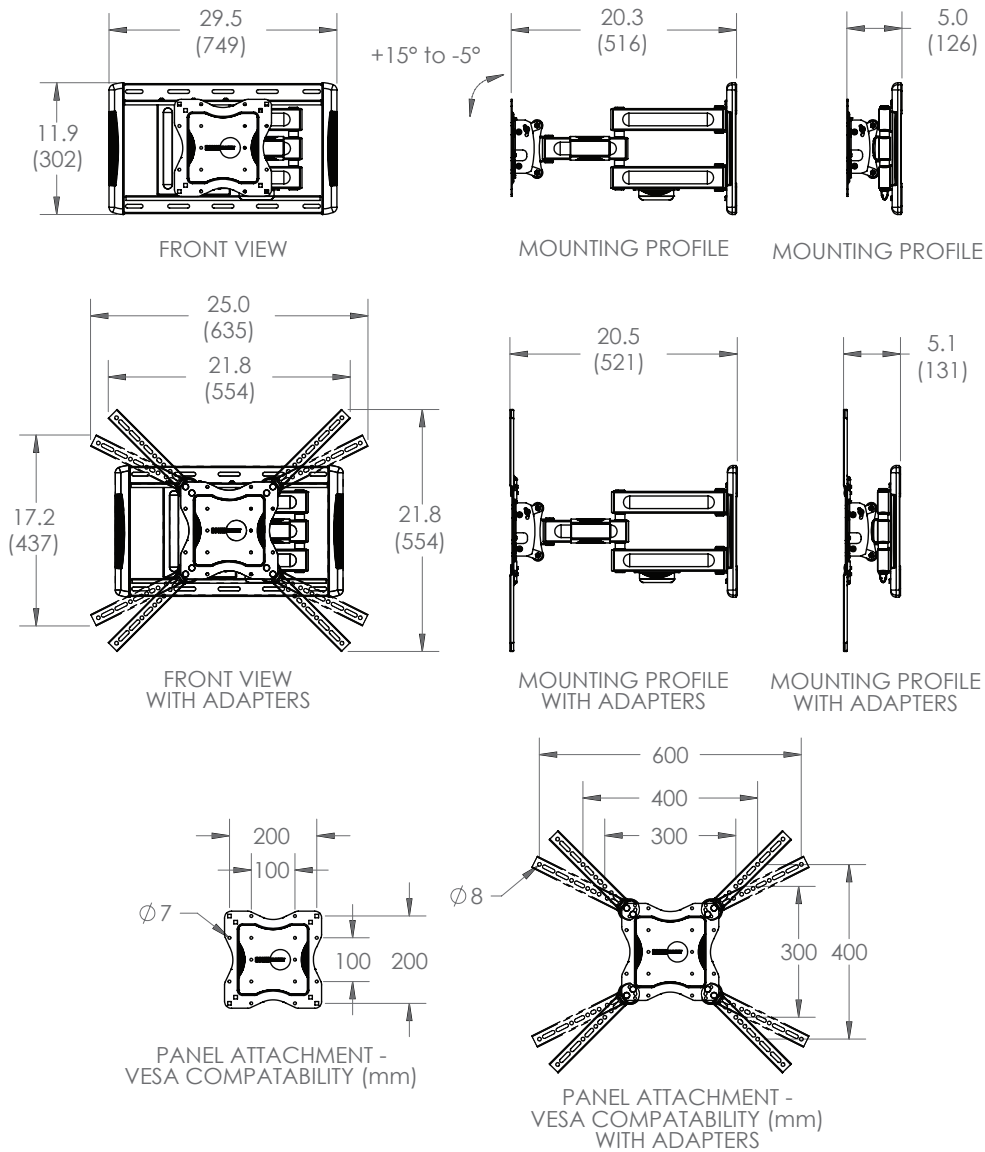


NC200C



12152011

NC125C technical data sheet



inches (mm)

| | Packaging UPC | MC UPC |
|---------------|---------------|--------------|
| Americas | 728901023149 | 728901716591 |
| International | 728901023149 | 728901716591 |

| | Dimensions WxDxH Inches (mm) | Wt lbs (kg) | Qty |
|-----|---------------------------------|-------------|-----|
| Box | 16.1 x 32.1 x 6.1 (409x814x155) | 22.1 (10) | NA |
| MC | NA | NA | NA |

| Box Contents | Qty |
|--|-----|
| Full motion wall plate | 1 |
| Full motion arm | 1 |
| Flat panel plate | 1 |
| Front arm cable management cover | 1 |
| Front arm cable management cover screw | 4 |
| Bottom arm cable management cover | 1 |

| Box Contents | Qty |
|--|-----|
| Tilt adjustment tension screw | 2 |
| Spider 46 adapter | 4 |
| Wall template | 1 |
| Complete mount installation hardware kit | 1 |
| Complete TV attachment hardware kit | 1 |
| Instruction manual | 1 |

